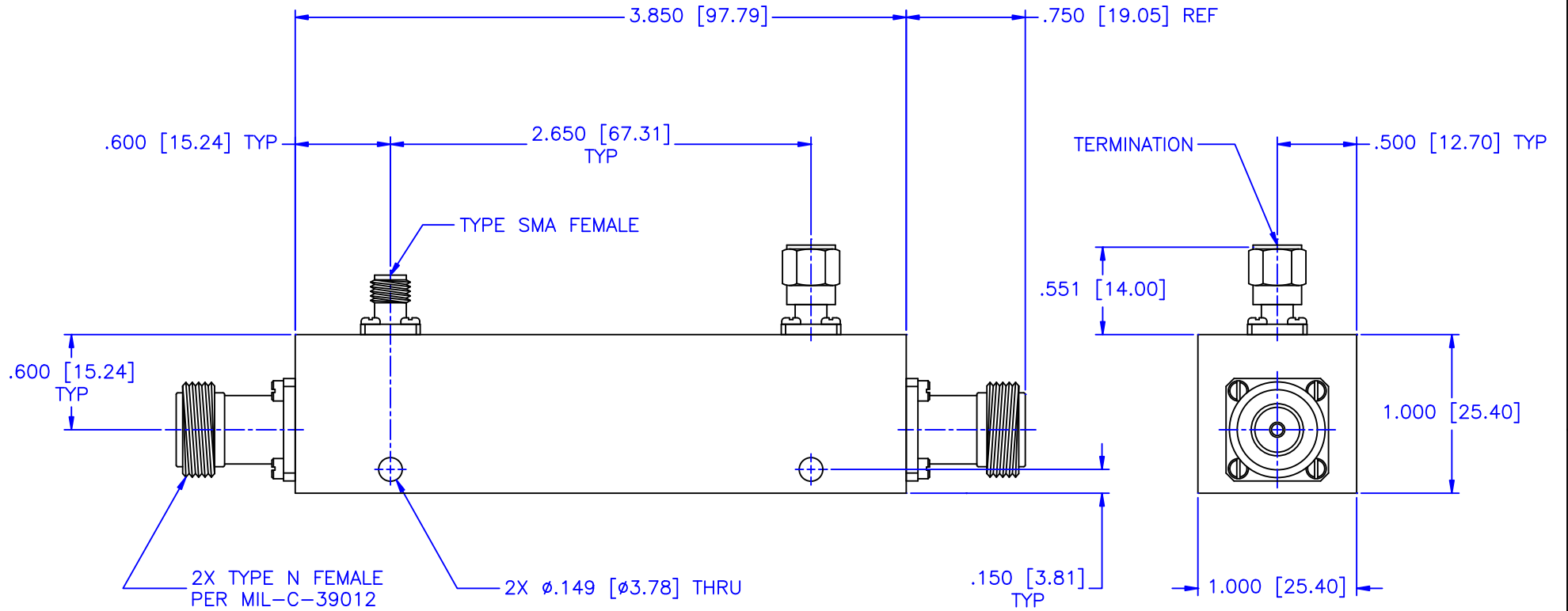


REVISIONS				
ZONE	REV	DESCRIPTION	DATE	APPROVED



ELECTRICAL SPECIFICATIONS:

Frequency Range:	0.01 to 0.20 GHz
Coupling:	X±1.50dB
Insertion Loss Maximum:	0.50dB
Frequency Sensitivity:	±1.50dB
VSWR Maximum:	1.40:1
Directivity Min.	15dB
Power Capability	400 Watts

MATERIAL:			MICROWAVE COMMUNICATIONS LABORATORIES INC. 7255 30TH AVE. N. SAINT PETERSBURG, FL 33710 TEL: (727) 344-6254 FAX: (727) 381-6116 http://WWW.MCLI.COM		SCALE:	N/A
UNLESS OTHERWISE SPECIFIED: TOLERANCES IN (INCHES) OR [mm] (MILLIMETERS) FRACTIONS: ± 1/64 DECIMALS: ±.01 ±.005 ANGLE: ±1/2°			DRAWING TITLE:		HIGH POWER DIRECTIONAL COUPLER	
DRAWN:		DATE:		PART NO.		
Paibonn Luekhamhan		11-16-1997		HC-17-X		
APPROVED:		DATE:		CAGE CODE:	SIZE:	REV:
T. Nguyen		11-16-1997		OD2L5	A	N/A
PROPRIETARY NOTICE: THE INFORMATION IN THIS DRAWING IS PROPRIETARY AND SHALL NOT BE USED OR DISCLOSED WITHOUT WRITTEN PERMISSION FROM MICROWAVE COMMUNICATIONS LABORATORIES INC. (MCLI)		THIRD ANGLE PROJECTION 		DO NOT SCALE THE DRAWING		DWG NO.
						82086