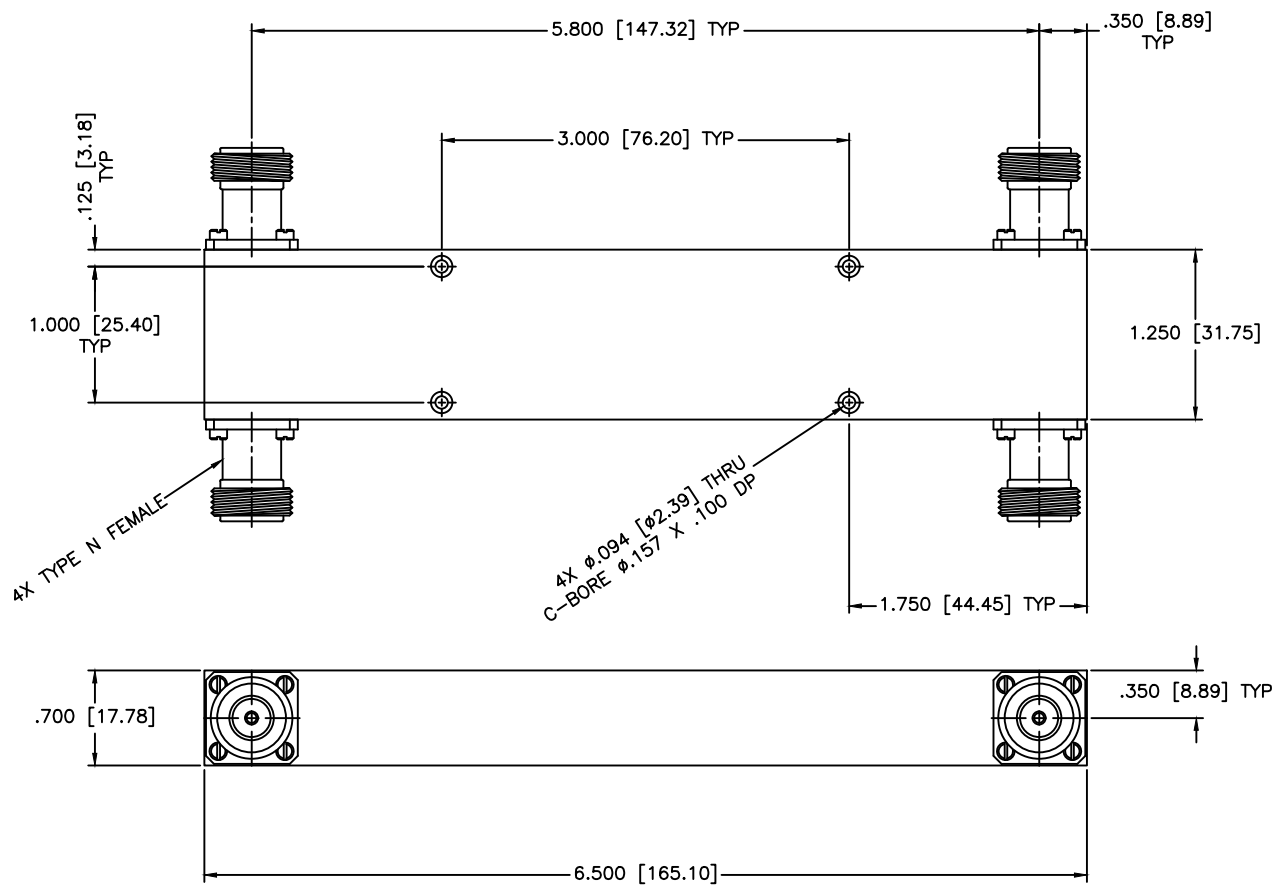


REVISIONS				
ZONE	REV	DESCRIPTION	Date	APPROVED



SPECIFICATIONS

- Frequency Range: 0.5–3 GHz
- Isolation: 20dB Min.
- VSWR: 1.25:1 Max.
- Amplitude Balance: ± 0.5 dB
- Phase Balance: $\pm 5^\circ$ Max.

MATERIAL:		MCLI MICROWAVE COMMUNICATIONS LABORATORIES INC. 7255 30TH AVE. N. SAINT PETERSBURG, FL 33710 TEL: (727) 344-6254 FAX: (727) 381-6116 http://www.mcli.com	SCALE:	N/A
			SHEET:	N/A
DRAWN: Paiboon Luekhamhan		DATE: 02-20-2006	DRAWING TITLE: 90° HYBRID	
APPROVED: T. Nguyen		DATE: 02-20-2006	PART NO. HB-43/NF	
<small>FREQUENCY NOTES: THE INFORMATION IN THIS DRAWING IS PROPRIETARY AND SHALL NOT BE USED OR DISCLOSED WITHOUT WRITTEN PERMISSION FROM MICROWAVE COMMUNICATIONS LABORATORIES INC. (MCLI)</small>		<small>UNLESS OTHERWISE SPECIFIED: TOLERANCES IN (INCHES) OR [mm] (MILLIMETERS) FRACTIONS: $\pm 1/64$ DECIMALS: $\pm 0.01 \pm 0.005$ ANGLE: $\pm 1/2^\circ$</small>	CAGE CODE: OD2L5	SIZE: N/A
<small>THIRD ANGLE PROJECTION</small> 		<small>DO NOT SCALE THE DRAWING</small>	REV: N/A	DWG NO. 82495