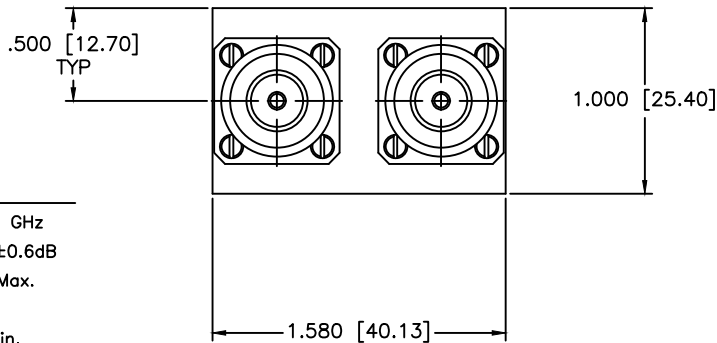
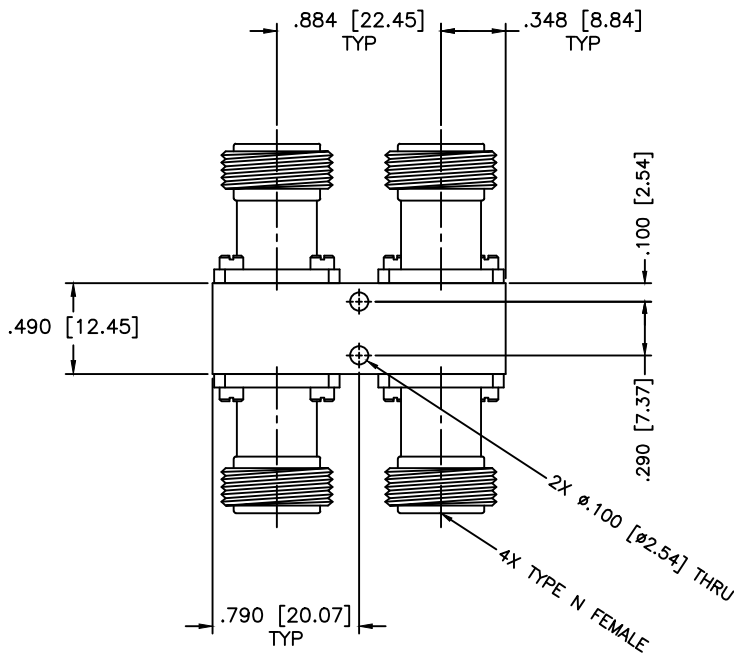


REVISIONS				
ZONE	REV	DESCRIPTION	DATE	APPROVED



SPECIFICATIONS

Frequency Range: 1.5–3.0 GHz
 Coupling: 3.1dB ±0.6dB
 VSWR: 1.20:1 Max.
 Frequency Sensitivity: ±0.5dB
 Isolation: 22dB Min.
 Average Power: 30W, 3kW Peak

MATERIAL:			MICROWAVE COMMUNICATIONS LABORATORIES INC. 7255 30TH AVE. N. SAINT PETERSBURG, FL 33710 TEL: (727) 344-6254 FAX: (727) 381-6116 http://WWW.MCLI.COM		SCALE: N/A	
			UNLESS OTHERWISE SPECIFIED: TOLERANCES IN (INCHES) OR [mm] (MILLIMETERS) FRACTIONS: ± 1/64 DECIMALS: ±.02 ±.009 ANGLE: ±1/2°		SHEET: N/A	
DRAWN: Paiboon Luekhamhan		DATE: 09-31-2013	DRAWING TITLE: 90° HYBRID COUPLER			
APPROVED: T. Nguyen		DATE: 09-31-2013	PART NO. HB-33/NF			
PROPRIETARY NOTICE: THE INFORMATION IN THIS DRAWING IS PROPRIETARY AND SHALL NOT BE USED OR DISCLOSED WITHOUT WRITTEN PERMISSION FROM MICROWAVE COMMUNICATIONS LABORATORIES INC. (MCLI)		THIRD ANGLE PROJECTION 	CAGE CODE: OD2L5	SIZE: A	REV: N/A	DWG NO. 86389
DO NOT SCALE THE DRAWING						