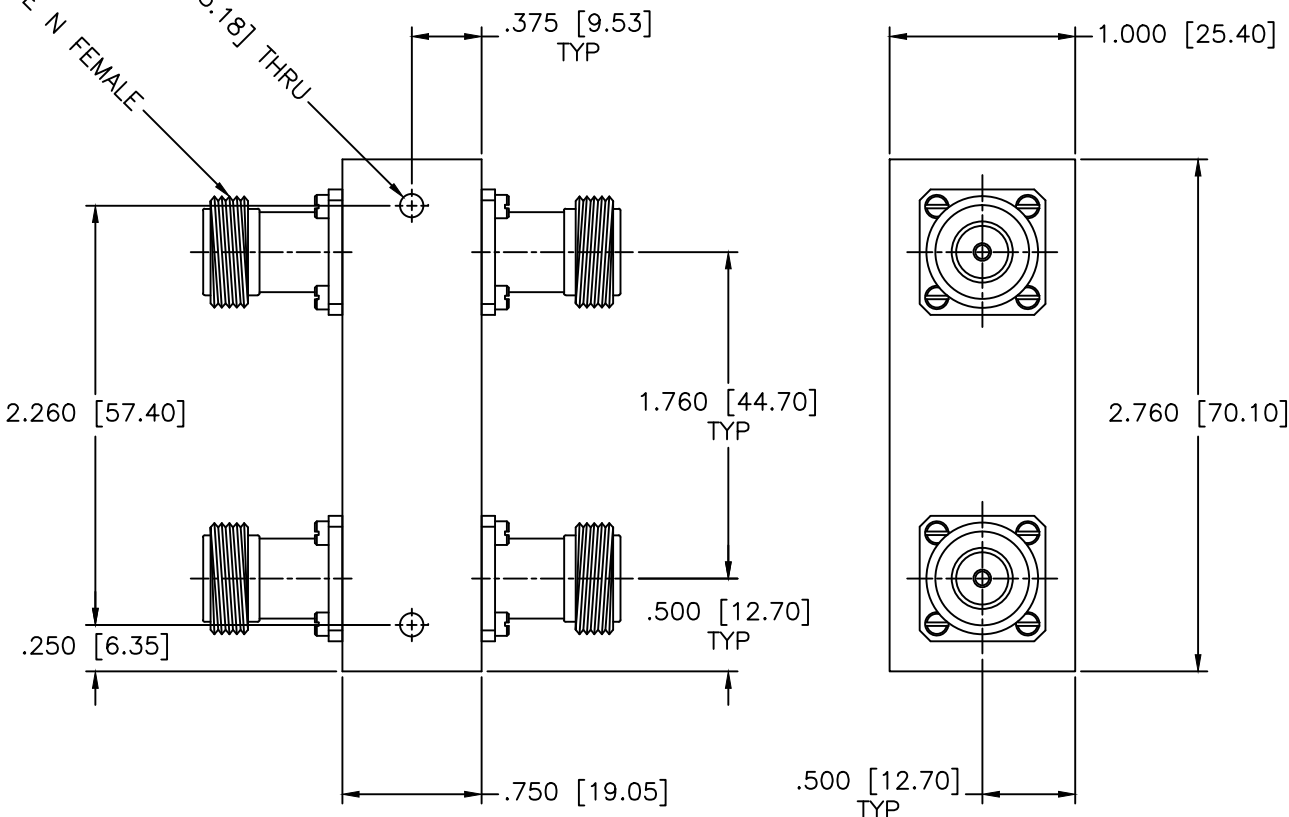


REVISIONS				
ZONE	REV	DESCRIPTION	DATE	APPROVED

2X ϕ .125 [ϕ 3.18] THRU
 4X TYPE N FEMALE



SPECIFICATIONS

Frequency Range: 0.75–1.50 GHz
 Coupling: 3.1 ± 0.6 dB
 Frequency Sensitivity: ± 0.3 dB
 Isolation: 25 dB Min.
 Power / Peak: 30 Watts / 3 kW
 VSWR: 1.30:1 Max.

MATERIAL:	
DRAWN: Paiboon Luekhamhan	DATE: 12-02-1997
APPROVED: T. Nguyen	DATE: 12-02-1997

MCLI MICROWAVE COMMUNICATIONS LABORATORIES INC. 7255 30TH AVE. N. SAINT PETERSBURG, FL 33710 TEL: (727) 344-6254 FAX: (727) 381-6116 http://WWW.MCLI.COM	SCALE: N/A
	SHEET: N/A
UNLESS OTHERWISE SPECIFIED: TOLERANCES IN (INCHES) OR [mm] (MILLIMETERS) FRACTIONS: $\pm 1/64$ DECIMALS: $\pm 0.01 \pm 0.005$ ANGLE: $\pm 1/2^\circ$	DRAWING TITLE: 90° HYBRID COUPLER PART NO. HB-29/NF
PROPRIETARY NOTICE: THE INFORMATION IN THIS DRAWING IS PROPRIETARY AND SHALL NOT BE USED OR DISCLOSED WITHOUT WRITTEN PERMISSION FROM MICROWAVE COMMUNICATIONS LABORATORIES INC. (MCLI)	CAGE CODE: OD2L5
THIRD ANGLE PROJECTION 	SIZE: A REV: N/A DWG NO.: 80746 DO NOT SCALE THE DRAWING