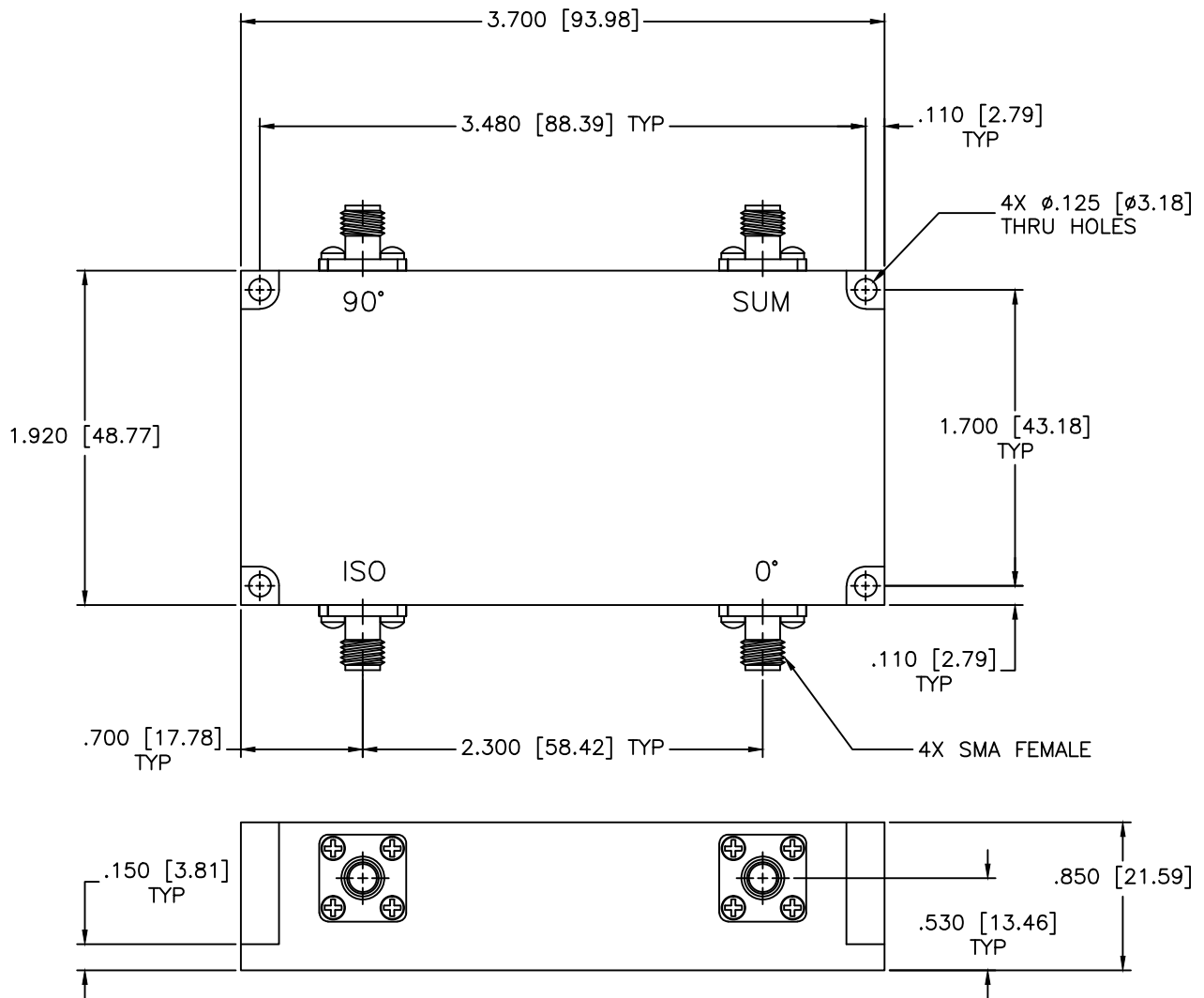


REVISIONS				
ZONE	REV	DESCRIPTION	DATE	APPROVED



SPECIFICATIONS

Frequency Range: 100–512 MHz
 Insertion Loss: 0.5dB Max. @ 25°C
 Isolation: 20dB Min.
 Power: 200 Watts CW
 VSWR: 1.30:1 Max.
 Amplitude Balance: ±.55dB Max.
 Phase Balance: ±5 Deg. Typ.

MATERIAL:		MCLI MICROWAVE COMMUNICATIONS LABORATORIES INC. 7255 30TH AVE. N. SAINT PETERSBURG, FL 33710 TEL: (727) 344-6254 FAX: (727) 381-6116 http://www.MCLI.COM	SCALE:	N/A
			SHEET:	N/A
DRAWN: Paiboon Luekhamhan		DATE: 02-10-2012	DRAWING TITLE: 90° HYBRID	
APPROVED: T. Nguyen		DATE: 02-10-2012	PART NO. HB-25	
		<small>UNLESS OTHERWISE SPECIFIED: TOLERANCES IN (INCHES) OR [mm] (MILLIMETERS) FRACTIONS: ± 1/64 DECIMALS: ±.01 ±.005 ANGLE: ±1/2°</small>	CAGE CODE:	OD2L5
		<small>PROPRIETARY NOTICE: THE INFORMATION IN THIS DRAWING IS PROPRIETARY AND SHALL NOT BE USED OR DISCLOSED WITHOUT WRITTEN PERMISSION FROM MICROWAVE COMMUNICATIONS LABORATORIES INC. (MCLI)</small>	SIZE:	A
			REV:	N/A
			DO NOT SCALE THE DRAWING	
			DWG NO. 85996	