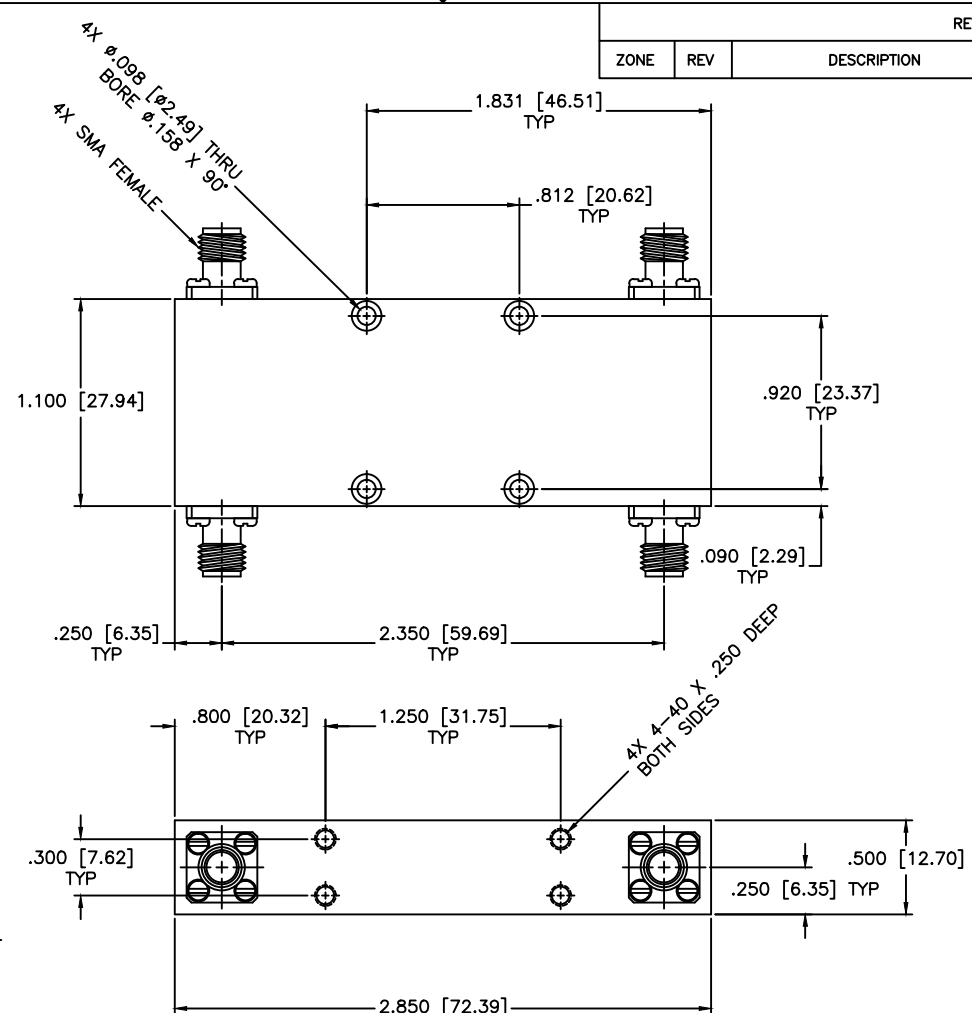


| REVISIONS | | | | |
|-----------|-----|-------------|------|----------|
| ZONE | REV | DESCRIPTION | Date | APPROVED |
| | | | | |



SPECIFICATIONS

- Frequency Range: 4–20 GHz
- Insertion Loss: 1.8dB Max.
- Isolation: 15dB Min.
- Phase Balance: $\pm 8^\circ$
- Amplitude Balance: $\pm 0.8\text{dB}$
- VSWR: 1.60:1 Max.
- Coupling: 3dB Typ.
- Average Power: 20W, 3kW Peak
- Operating Temperature: -32°C to $+85^\circ\text{C}$

| | | | | |
|---|---------------------|--|--------------------------|-------------------------------------|
| MATERIAL: | | MCLI MICROWAVE COMMUNICATIONS LABORATORIES INC. 7255 30TH AVE. N. SAINT PETERSBURG, FL 33710 TEL: (727) 344-6254 FAX: (727) 381-6116 http://WWW.MCLI.COM | SCALE: | N/A |
| UNLESS OTHERWISE SPECIFIED: TOLERANCES IN (INCHES) OR [mm] (MILLIMETERS) FRACTIONS: $\pm 1/64$ DECIMALS: $\pm 0.01 \pm 0.005$ ANGLE: $\pm 1/2^\circ$ | | | DRAWING TITLE: | 90° HYBRID |
| DRAWN: Paiboon Luekhamhan | DATE: 01-14-2011 | PROPRIETARY NOTICE: THE INFORMATION IN THIS DRAWING IS PROPRIETARY AND SHALL NOT BE USED OR DISCLOSED WITHOUT WRITTEN PERMISSION FROM MICROWAVE COMMUNICATIONS LABORATORIES INC. (MCLI) | PART NO.: HB-15 | SHEET: N/A |
| APPROVED: T. Nguyen | DATE: 01-14-2011 | THIRD ANGLE PROJECTION | CAGE CODE: OD2L5 | SIZE: A REV: A DWG NO.: 82018 |
| | | | DO NOT SCALE THE DRAWING | |