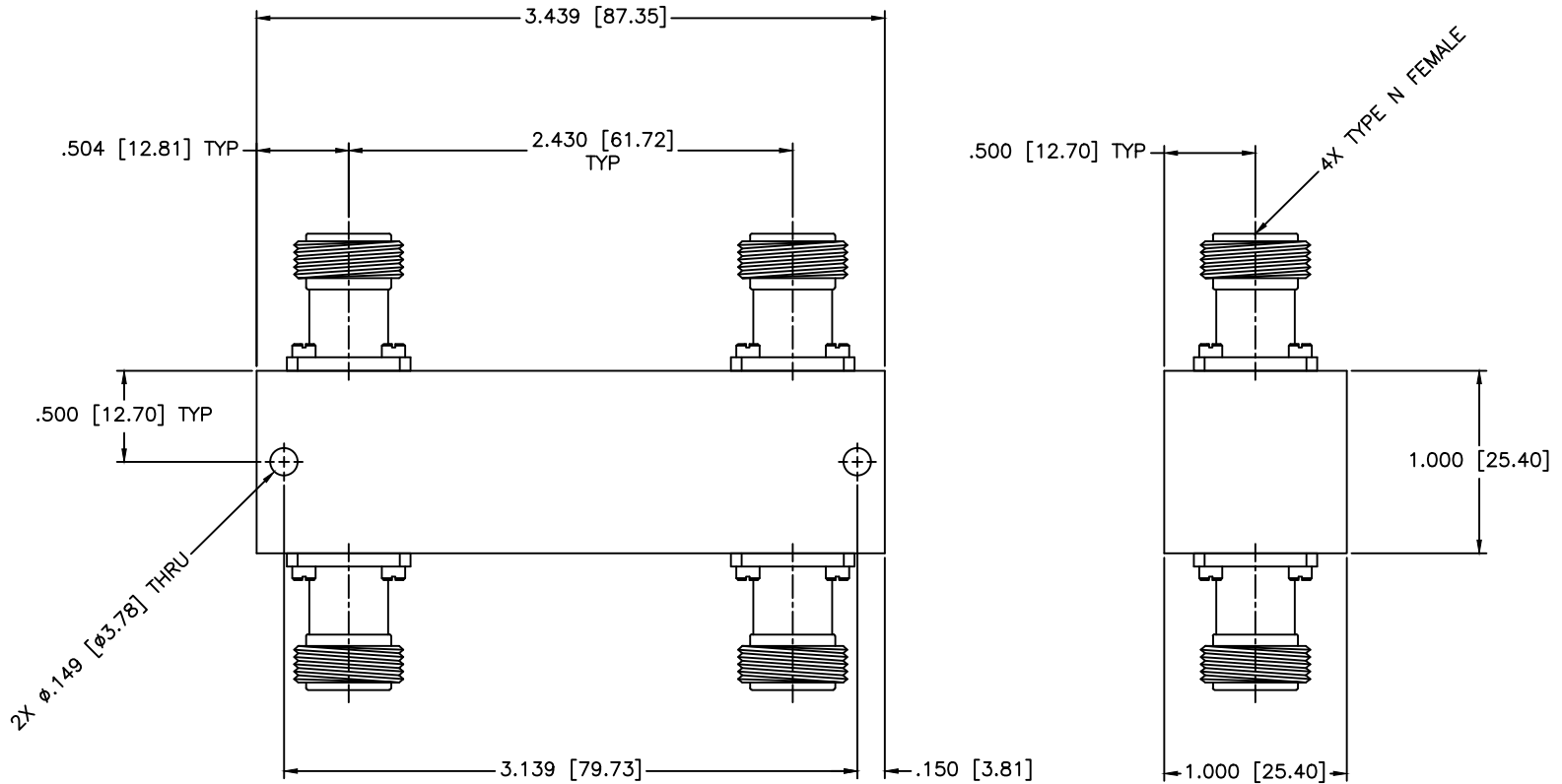


REVISIONS				
ZONE	REV	DESCRIPTION	DATE	APPROVED



**SPECIFICATIONS**

- Frequency Range: 0.5–1.0 GHz
- Coupling: 3.1±0.6dB
- Frequency Sensitivity: ±0.5dB
- Isolation: 25dB Min.
- Power: 400 Watts
- VSWR: 1.20:1 Max.

MATERIAL:			MICROWAVE COMMUNICATIONS LABORATORIES INC. 7255 30TH AVE. N. SAINT PETERSBURG, FL 33710 TEL: (727) 344-6254 FAX: (727) 381-6116 http://WWW.MCLI.COM		SCALE: N/A
			UNLESS OTHERWISE SPECIFIED: TOLERANCES IN (INCHES) OR (mm) (MILLIMETERS) FRACTIONS: ± 1/64 DECIMALS: ±.01 ±.005 ANGLE: ±1/2°		SHEET: N/A
DRAWING TITLE:		90° HYBRID			
PART NO.:		HB-1-400/NF			
DRAWN: Paiboon Luekhamhan		DATE: 01-24-1998		CAGE CODE: OD2L5	
APPROVED: T. Nguyen		DATE: 01-24-1998		SIZE: A	
PROPRIETARY NOTICE: THE INFORMATION IN THIS DRAWING IS PROPRIETARY AND SHALL NOT BE USED OR DISCLOSED WITHOUT WRITTEN PERMISSION FROM MICROWAVE COMMUNICATIONS LABORATORIES INC. (MCLI)		THIRD ANGLE PROJECTION		REV: N/A	
				DWG NO. 80836	
				DO NOT SCALE THE DRAWING	