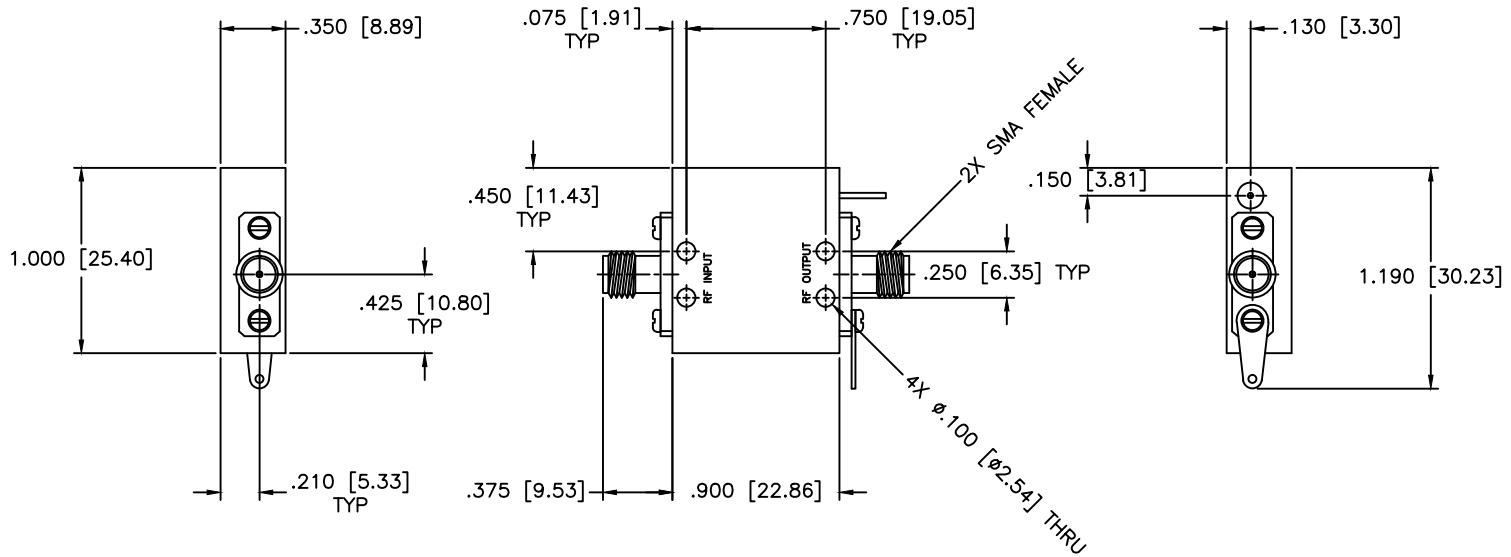


REVISIONS				
ZONE	REV	DESCRIPTION	DATE	APPROVED



MATERIAL:		MICROWAVE COMMUNICATIONS LABORATORIES INC. 7255 30TH AVE. N. SAINT PETERSBURG, FL 33710 TEL: (727) 344-6254 FAX: (727) 381-6116 http://WWW.MCLI.COM		SCALE: N/A	
				SHEET: N/A	
UNLESS OTHERWISE SPECIFIED: TOLERANCES IN (INCHES) OR [mm] (MILLIMETERS) FRACTIONS: $\pm 1/64$ DECIMALS: $\pm .01 \pm .005$ ANGLE: $\pm 1/2^\circ$		DRAWING TITLE: GPS BAND AMPLIFIER			
		PART NO. GA-SERIES			
DRAWN: Paiboon Luekhamhan	DATE: 5-10-2011	CAGE CODE: OD2L5		SIZE: A	REV: A
APPROVED: T. Nguyen	DATE: 5-10-2011	DO NOT SCALE THE DRAWING		DWG NO. 85670	



UNLESS OTHERWISE SPECIFIED:
 TOLERANCES
 IN (INCHES) OR [mm] (MILLIMETERS)
 FRACTIONS: $\pm 1/64$
 DECIMALS: $\pm .01 \pm .005$
 ANGLE: $\pm 1/2^\circ$

PROPRIETARY NOTICE:
 THE INFORMATION IN THIS DRAWING IS PROPRIETARY
 AND SHALL NOT BE USED OR DISCLOSED WITHOUT WRITTEN
 PERMISSION FROM MICROWAVE COMMUNICATIONS
 LABORATORIES INC. (MCLI)

