

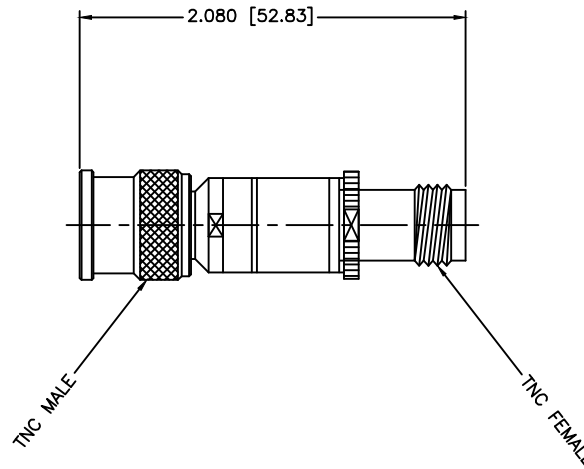
REVISIONS				
ZONE	REV	DESCRIPTION	DATE	APPROVED

SPECIFICATIONS

Frequency Range: DC-3 GHz
 VSWR: 1.20:1 Max.
 Power Rating: 1 Watt @ 25°C
 Impedance: 50 Ohms
 Attenuation Value (-X): -3dB, -6dB, -10dB, -15dB, -20dB
 Temperature Range: -60°C to +165°C

MATERIAL AND FINISHING

Body: Brass PER QQ-B626
 Plating: Tri Metal (Tin-Zinc-Copper)
 Contact: Gold plated



MATERIAL:		MICROWAVE COMMUNICATIONS LABORATORIES INC. 7255 30TH AVE. N. SAINT PETERSBURG, FL 33710 TEL: (727) 344-6254 FAX: (727) 381-6116 http://WWW.MCLI.COM	SCALE:	N/A
			SHEET:	N/A
DRAWN: Paboon Luekhamhan		DATE: 05-18-2012	DRAWING TITLE: TNC COAXIAL ATTENUATOR	
APPROVED: T. Nguyen		DATE: 05-18-2012	PART NO. FAT-3-X	
UNLESS OTHERWISE SPECIFIED: TOLERANCES IN (INCHES) OR [mm] (MILLIMETERS) FRACTIONS: ± 1/64 DECIMALS: ±.01 ±.005 ANGLE: ±1/2°		PROPRIETARY NOTICE: THE INFORMATION IN THIS DRAWING IS PROPRIETARY AND SHALL NOT BE USED OR DISCLOSED WITHOUT WRITTEN PERMISSION FROM MICROWAVE COMMUNICATIONS LABORATORIES INC. (MCLI)	CAGE CODE: OD2L5	SIZE: A REV: N/A DWG NO. 86101
		THIRD ANGLE PROJECTION 	DO NOT SCALE THE DRAWING	