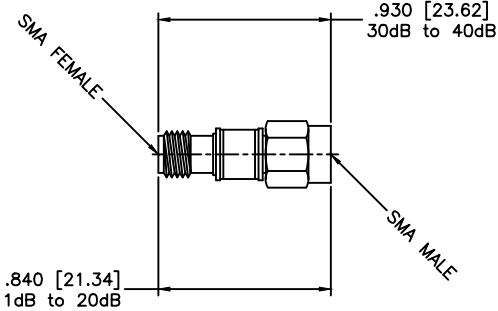


REVISIONS				
ZONE	REV	DESCRIPTION	DATE	APPROVED

PART NUMBER	ATTENUATION	ACCURACY
FAS-01-FM	-1dB	±0.3dB
FAS-02-FM	-2dB	±0.3dB
FAS-03-FM	-3dB	±0.3dB
FAS-04-FM	-4dB	±0.3dB
FAS-05-FM	-5dB	±0.3dB
FAS-06-FM	-6dB	±0.3dB
FAS-07-FM	-7dB	±0.3dB
FAS-08-FM	-8dB	±0.3dB
FAS-09-FM	-9dB	±0.3dB
FAS-10-FM	-10dB	±0.5dB
FAS-15-FM	-15dB	±0.5dB
FAS-20-FM	-20dB	±1.0dB
FAS-30-FM	-30dB	±1.0dB
FAS-40-FM	-40dB	±1.5dB



SPECIFICATIONS

Frequency Range: DC-3 GHz
 VSWR: 1.20:1 Max.
 Power Rating: 1 Watt
 Insulation resistance: 5000 mOhm Min.
 Contact resistance: 4 mOhm Max.
 Impedance: 50 Ohms
 Temperature Range: -65°C to +165°C

MATERIAL AND FINISHING

Nickel Plated Brass Body
 Gold Plated Beryllium Copper Contact Probe
 PTFE Teflon Insulator

MATERIAL:			MICROWAVE COMMUNICATIONS LABORATORIES INC. 7255 30TH AVE. N. SAINT PETERSBURG, FL 33710 TEL: (727) 344-6254 FAX: (727) 381-6116 http://WWW.MCLI.COM		SCALE: N/A	
			UNLESS OTHERWISE SPECIFIED: TOLERANCES IN (INCHES) OR [mm] (MILLIMETERS) FRACTIONS: ± 1/64 DECIMALS: ±.01 ±.005 ANGLE: ±1/2°		SHEET: N/A	
DRAWING TITLE:		COAXIAL SMA ATTENUATOR				
PART NO.:		FAS-dB-FM				
DRAWN:	DATE:	PROPRIETARY NOTICE: THE INFORMATION IN THIS DRAWING IS PROPRIETARY AND SHALL NOT BE USED OR DISCLOSED WITHOUT WRITTEN PERMISSION FROM MICROWAVE COMMUNICATIONS LABORATORIES INC. (MCLI)	CAGE CODE:	SIZE:	REV:	DWG NO.:
APPROVED:	DATE:		OD2L5	A	N/A	83782
		THIRD ANGLE PROJECTION		DO NOT SCALE THE DRAWING		

