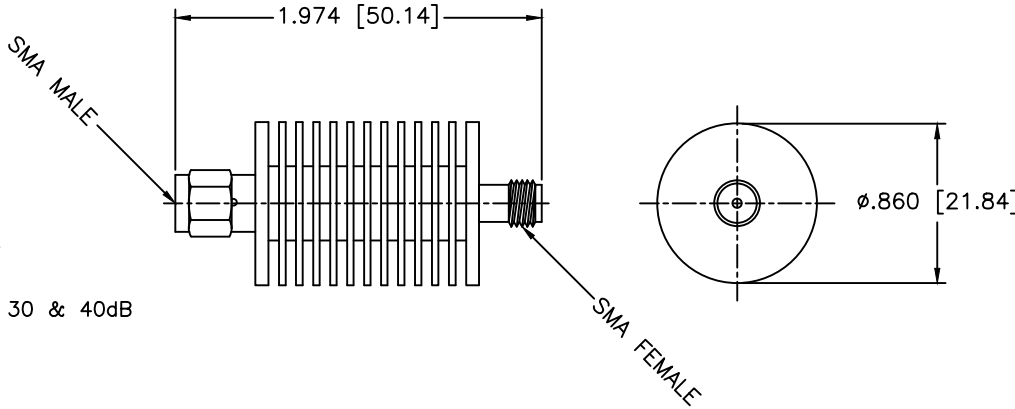


REVISIONS				
ZONE	REV	DESCRIPTION	DATE	APPROVED



SPECIFICATIONS

Frequency Range: DC-6.0 GHz
 Common dB Values: 0-6, 7-12, 20, 30 & 40dB
 Attenuation Accuracy from DC-6GHz
 0-6dB ±0.3dB
 7-12, 15, 20dB ±0.5dB
 30-40dB ±0.75dB
 VSWR (DC-6 GHz): 1.25:1 Max.
 Input Power: 10Watts Average
 Derated Linearly from +25°C to 10% at +125°C
 Peak Power: 500 Watts Max.
 5uS Pluse With, 0.2% Duty Cycle
 Operating Temperature: -65°C to +125°C
 Impedance: 50 ohms

Mechanical
 SMA Connectors: Passivated Stainless Steel
 Conductors: Gold Plated Beryllium Copper
 Housing: Anodized Aluminum

MATERIAL:		MICROWAVE COMMUNICATIONS LABORATORIES INC. 7255 30TH AVE. N. SAINT PETERSBURG, FL 33710 TEL: (727) 344-6254 FAX: (727) 381-6116 http://WWW.MCLI.COM	SCALE:	N/A
			SHEET:	N/A
		UNLESS OTHERWISE SPECIFIED: TOLERANCES IN (INCHES) OR [mm] (MILLIMETERS) FRACTIONS: ± 1/64 DECIMALS: ±.02 ±.008 ANGLE: ±1/2°	DRAWING TITLE: 10 WATTS ATTENUATOR, TYPE SMA	
DRAWN: Paiboon Luexhamhan		DATE: 08-09-2018	PART NO. FAS-9-dB	
APPROVED: T. Nguyen		DATE: 08-09-2018	CAGE CODE: OD2L5	SIZE: A REV: A DWG NO. 83808
		PROPRIETARY NOTICE: THE INFORMATION IN THIS DRAWING IS PROPRIETARY AND SHALL NOT BE USED OR DISCLOSED WITHOUT WRITTEN PERMISSION FROM MICROWAVE COMMUNICATIONS LABORATORIES INC. (MCLI)	DO NOT SCALE THE DRAWING	

