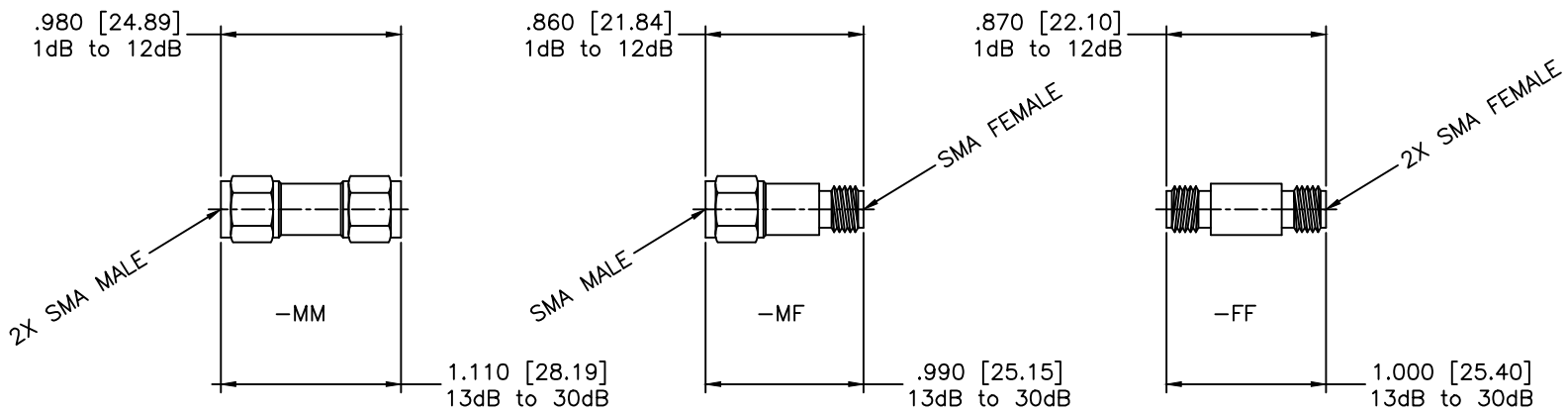


| REVISIONS | | | | |
|-----------|-----|-------------|------|----------|
| ZONE | REV | DESCRIPTION | DATE | APPROVED |

| PART NUMBER / FREQUENCY | |
|-------------------------|----------------|
| FAS-1-dB | DC to 4.0 GHz |
| FAS-2-dB | DC to 8.0 GHz |
| FAS-3-dB | DC to 12.0 GHz |
| FAS-4-dB | DC to 18.0 GHz |
| FAS-15-dB | DC to 2.0 GHz |
| FAS-18-dB | DC to 6.0 GHz |



SPECIFICATIONS

Frequency Range: DC-18 GHz
 Standard Frequency Values: 2.5, 6, 18, & 23 GHz
 Standard dB Values: 0-10, 12, 15, 20 & 30 dB (In 1dB Increment)
 Attenuation Accuracy:
 0 - 6 dB ±0.3 dB
 7 - 20 dB ±0.5 dB
 21 -30 dB ±0.75 dB
 VSWR:
 DC to 4.0 GHz 1.15:1 Max.
 4.0 to 8.0 GHz 1.20:1 Max.
 8.0 to 12.4 GHz 1.25:1 Max.
 12.4 to 18.0 GHz 1.35:1 Max.
 Input power:
 Average Power: 2W @ 25°C, Linearly to 0.5W @ +125°C
 Peak Power: 250W Max.
 Operating Temperature: -65°C to +125°C
 Impedance: 50 ohms

| | | | |
|---|------------------|---|--------------------------------------|
| MATERIAL: | | MICROWAVE COMMUNICATIONS LABORATORIES INC. 7255 30TH AVE. N. SAINT PETERSBURG, FL 33710 TEL: (727) 344-6254 FAX: (727) 381-6116 http://WWW.MCLI.COM | SCALE: N/A |
| | | | SHEET: N/A |
| DRAWING TITLE: 2 WATTS ATTENUATOR, TYPE SMA | | PART NO. FAS-3-dB-X | |
| DRAWN: Paiboon Luekhamhan | DATE: 08-12-2008 | UNLESS OTHERWISE SPECIFIED: TOLERANCES IN (INCHES) OR [mm] (MILLIMETERS) FRACTIONS: ± 1/64 DECIMALS: ±.030 ANGLE: ±1/2° PROPRIETARY NOTICE: THE INFORMATION IN THIS DRAWING IS PROPRIETARY AND SHALL NOT BE USED OR DISCLOSED WITHOUT WRITTEN PERMISSION FROM MICROWAVE COMMUNICATIONS LABORATORIES INC. (MCLI) THIRD ANGLE PROJECTION | CAGE CODE: OD2L5 |
| APPROVED: T. Nguyen | DATE: 08-12-2008 | | SIZE: A REV: N/A DWG NO. 83800 |