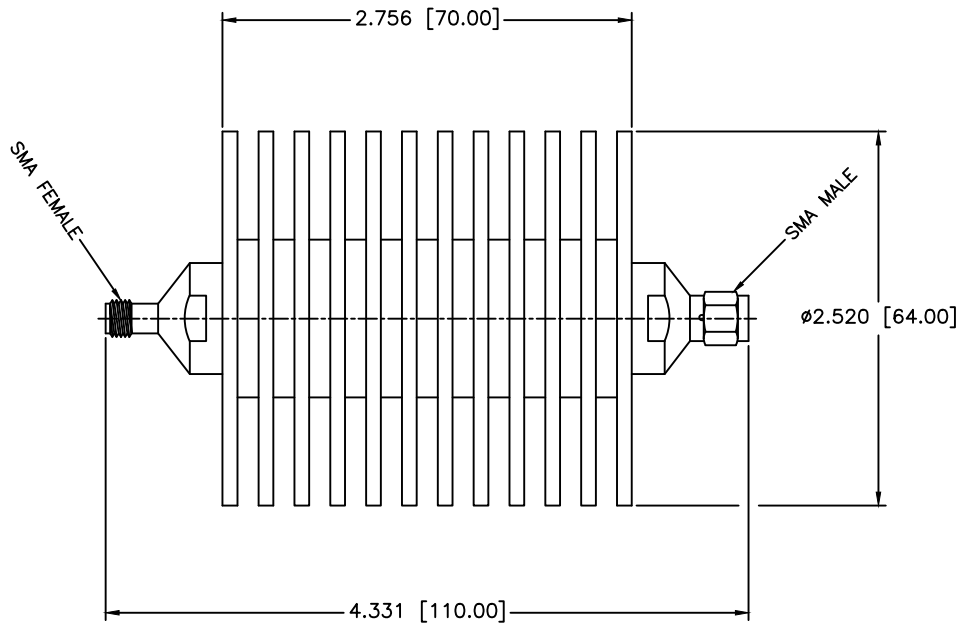


REVISIONS				
ZONE	REV	DESCRIPTION	DATE	APPROVED



**SPECIFICATIONS FOR 3dB**

Frequency Range: DC–6 GHz  
 VSWR: 1.25:1 Max.  
 Power Rating: 100 Watts @ 25°C;  
 Impedance: 50 Ohms  
 Attenuation, Accuracy: 3dB, ±0.5dB  
 Temperature Range: –55°C to +125°C

MATERIAL:			MICROWAVE COMMUNICATIONS LABORATORIES INC. 7255 30TH AVE. N. SAINT PETERSBURG, FL 33710 TEL: (727) 344-6254 FAX: (727) 381-6116 http://WWW.MCLI.COM		SCALE:	N/A
			UNLESS OTHERWISE SPECIFIED: TOLERANCES IN (INCHES) OR [mm] (MILLIMETERS) FRACTIONS: ± 1/64 DECIMALS: ±.019 ANGLE: ±1/2°	DRAWING TITLE:		100 WATTS, SMA ATTENUATOR
DRAWN:		DATE:		PART NO.		FAS-20-dB
APPROVED:		DATE:		CAGE CODE:		DWG NO.
Paiboon Luexhamhan		05-08-2020		OD2L5		83815
T. Nguyen		05-08-2020		SIZE: N/A REV: N/A		DO NOT SCALE THE DRAWING
		PROPRIETARY NOTICE: THE INFORMATION IN THIS DRAWING IS PROPRIETARY AND SHALL NOT BE USED OR DISCLOSED WITHOUT WRITTEN PERMISSION FROM MICROWAVE COMMUNICATIONS LABORATORIES INC. (MCLI)				