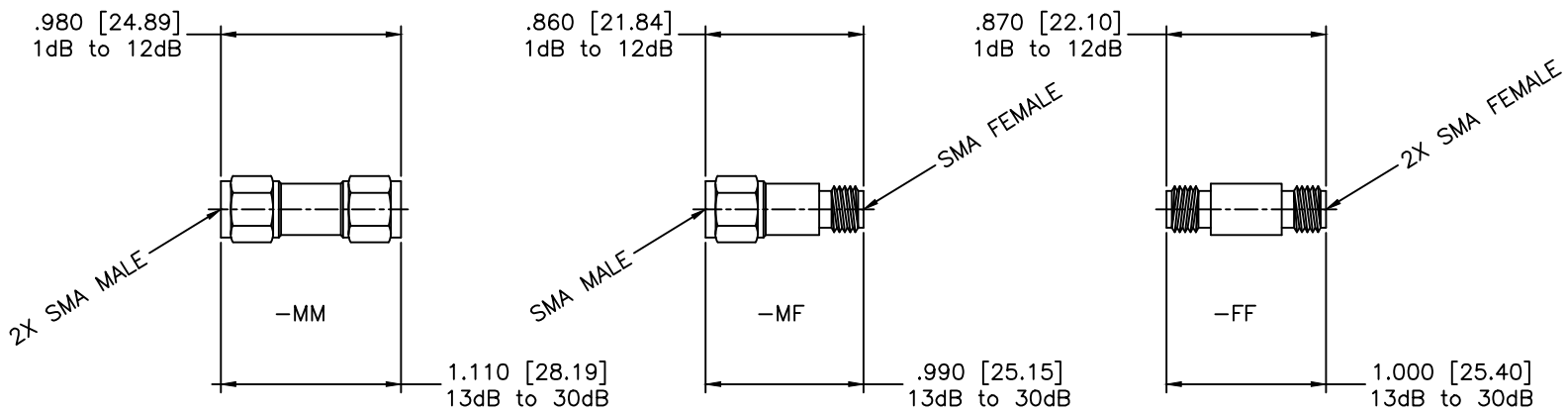


REVISIONS				
ZONE	REV	DESCRIPTION	DATE	APPROVED

PART NUMBER / FREQUENCY	
FAS-1-dB	DC to 4.0 GHz
FAS-2-dB	DC to 8.0 GHz
FAS-3-dB	DC to 12.0 GHz
FAS-4-dB	DC to 18.0 GHz
FAS-15-dB	DC to 2.0 GHz
FAS-18-dB	DC to 6.0 GHz



**SPECIFICATIONS**

Frequency Range: DC-18 GHz  
 Standard Frequency Values: 2.5, 6, 18, & 23 GHz  
 Standard dB Values: 0-10, 12, 15, 20 & 30 dB (In 1dB Increment)  
 Attenuation Accuracy:  
 0 - 6 dB ±0.3 dB  
 7 - 20 dB ±0.5 dB  
 21 -30 dB ±0.75 dB  
 VSWR:  
 DC to 4.0 GHz 1.15:1 Max.  
 4.0 to 8.0 GHz 1.20:1 Max.  
 8.0 to 12.4 GHz 1.25:1 Max.  
 12.4 to 18.0 GHz 1.35:1 Max.  
 Input power:  
 Average Power: 2W @ 25°C, Linearly to 0.5W @ +125°C  
 Peak Power: 250W Max.  
 Operating Temperature: -65°C to +125°C  
 Impedance: 50 ohms

MATERIAL:		MICROWAVE COMMUNICATIONS LABORATORIES INC. 7255 30TH AVE. N. SAINT PETERSBURG, FL 33710 TEL: (727) 344-6254 FAX: (727) 381-6116 http://WWW.MCLI.COM	SCALE:	N/A
			SHEET:	N/A
UNLESS OTHERWISE SPECIFIED: TOLERANCES IN (INCHES) OR [mm] (MILLIMETERS) FRACTIONS: ± 1/64 DECIMALS: ±0.030 ANGLE: ±1/2°		DRAWING TITLE: <b>2 WATTS ATTENUATOR, TYPE SMA</b>		
DRAWN: Paiboon Luekhamhan		PART NO. <b>FAS-2-dB-X</b>		
DATE: 08-12-2008		CAGE CODE: OD2L5		
APPROVED: T. Nguyen		DATE: 08-12-2008		SIZE: A REV: N/A DWG NO. 83799
PROPRIETARY NOTICE: THE INFORMATION IN THIS DRAWING IS PROPRIETARY AND SHALL NOT BE USED OR DISCLOSED WITHOUT WRITTEN PERMISSION FROM MICROWAVE COMMUNICATIONS LABORATORIES INC. (MCLI)		DO NOT SCALE THE DRAWING		