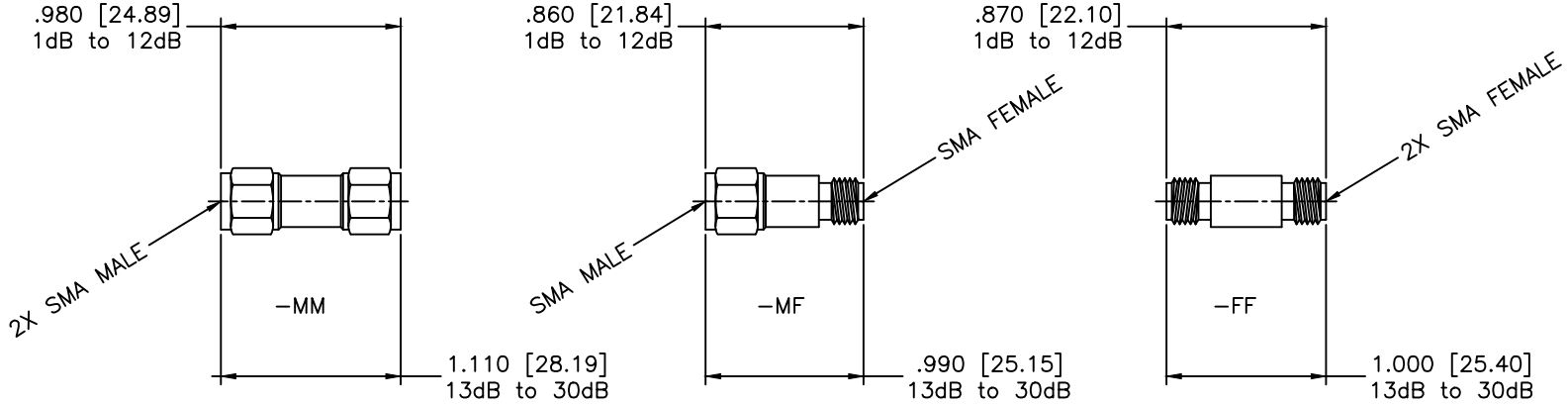


REVISIONS				
ZONE	REV	DESCRIPTION	DATE	APPROVED

PART NUMBER / FREQUENCY	
FAS-1-dB	DC to 4.0 GHz
FAS-2-dB	DC to 8.0 GHz
FAS-3-dB	DC to 12.0 GHz
FAS-4-dB	DC to 18.0 GHz
FAS-15-dB	DC to 2.0 GHz
FAS-18-dB	DC to 6.0 GHz



SPECIFICATIONS

Frequency Range: DC-18 GHz
 Standard Frequency Values: 2.5, 6, 18, & 23 GHz
 Standard dB Values: 0-10, 12, 15, 20 & 30 dB (In 1dB Increment)
 Attenuation Accuracy:
 0 - 6 dB ±0.3 dB
 7 - 20 dB ±0.5 dB
 21 -30 dB ±0.75 dB
 VSWR:
 DC to 4.0 GHz 1.15:1 Max.
 4.0 to 8.0 GHz 1.20:1 Max.
 8.0 to 12.4 GHz 1.25:1 Max.
 12.4 to 18.0 GHz 1.35:1 Max.
 Input power:
 Average Power: 2W @ 25°C, Linearly to 0.5W @ +125°C
 Peak Power: 250W Max.
 Operating Temperature: -65°C to +125°C
 Impedance: 50 ohms

MATERIAL:		MICROWAVE COMMUNICATIONS LABORATORIES INC. 7255 30TH AVE. N. SAINT PETERSBURG, FL 33710 TEL: (727) 344-6254 FAX: (727) 381-6116 http://WWW.MCLI.COM	SCALE:	N/A		
			SHEET:	N/A		
DRAWING TITLE:		2 WATTS ATTENUATOR, TYPE SMA				
PART NO.:		FAS-15-dB-X				
DRAWN:	DATE:	UNLESS OTHERWISE SPECIFIED: TOLERANCES IN (INCHES) OR [mm] (MILLIMETERS) FRACTIONS: ± 1/64 DECIMALS: ±.030 ANGLE: ±1/2° PROPRIETARY NOTICE: THE INFORMATION IN THIS DRAWING IS PROPRIETARY AND SHALL NOT BE USED OR DISCLOSED WITHOUT WRITTEN PERMISSION FROM MICROWAVE COMMUNICATIONS LABORATORIES INC. (MCLI) THIRD ANGLE PROJECTION	CAGE CODE:	SIZE:	REV:	DWG NO.:
APPROVED:	DATE:		OD2L5	A	N/A	83802
Paiboon Luekhamhan T. Nguyen		DO NOT SCALE THE DRAWING				