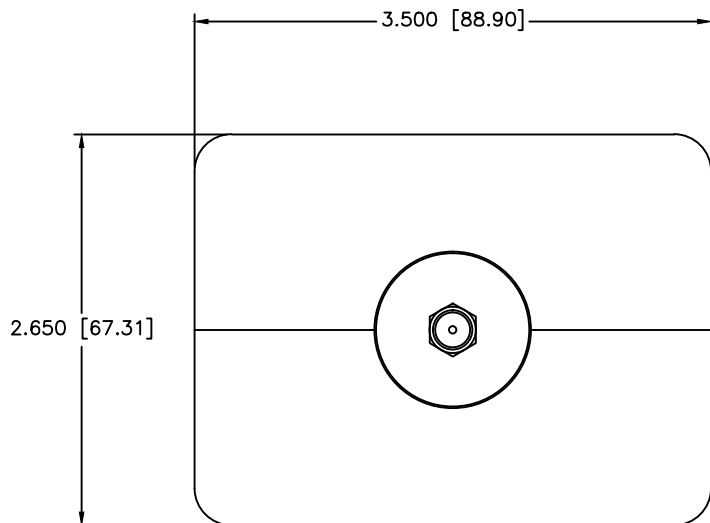
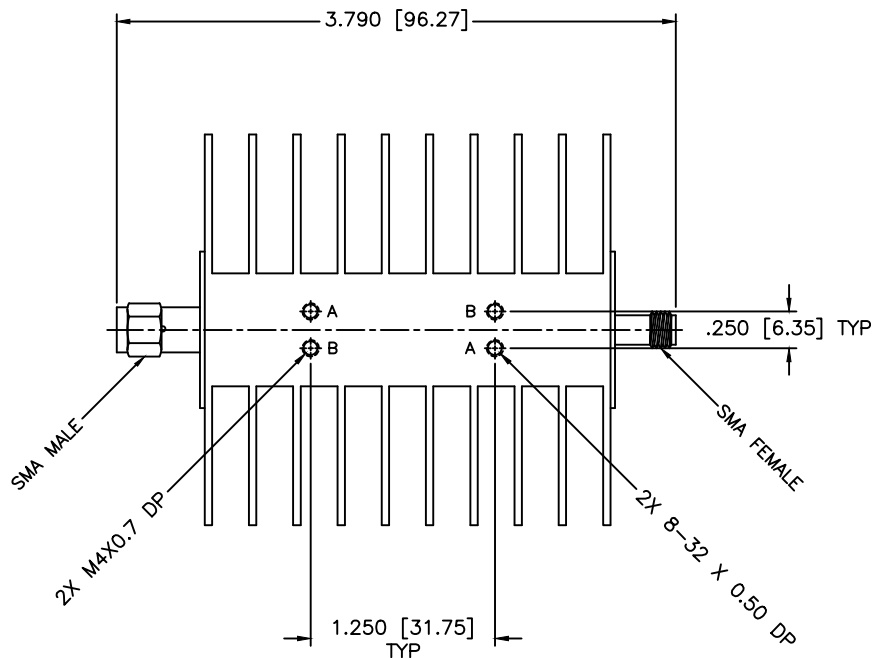


PART NUMBER / FREQUENCY
 FAS-14-dB DC to 2.0 GHz
 FAS-19-dB DC to 18.0 GHz



REVISIONS				
ZONE	REV	DESCRIPTION	DATE	APPROVED



SPECIFICATIONS

Frequency Range: DC-18 GHz
 Standard Frequency Values: 6 & 18 GHz
 Common dB Values: 3, 6, 10, 20 & 30dB
 Attenuation Accuracy: DC-12.4GHz 12.4-18GHz
 3dB, 6dB ±0.75dB ±0.75dB
 10dB, 20dB ±0.75dB ±1.00dB
 30dB ±1.00dB ±1.25dB
 VSWR Max.
 DC-6, 12, & 18GHz: 1.25:1, 1.35:1, 1.45:1
 Power: 50W Avg. @ 25°C, 500W Peak
 Avg. Derated Linearly to 10W @ +125°C
 Operating Temperature: -65°C to +125°C
 Impedance: 50 ohms

Mechanical
 SMA Connectors: Passivated Stainless Steel
 Conductors: Gold Plated Beryllium Copper
 Housing: Anodized Aluminum

MATERIAL:		MICROWAVE COMMUNICATIONS LABORATORIES INC. 7255 30TH AVE. N. SAINT PETERSBURG, FL 33710 TEL: (727) 344-6254 FAX: (727) 381-6116 http://WWW.MCLI.COM	SCALE:	N/A
			SHEET:	N/A
UNLESS OTHERWISE SPECIFIED: TOLERANCES IN (INCHES) OR [mm] (MILLIMETERS) FRACTIONS: ± 1/64 DECIMALS: ±.020 ANGLE: ±1/2°		DRAWING TITLE: SMA ATTENUATOR, 50 WATTS		
DRAWN: Paiboon Luekhamhan		PART NO. FAS-14-dB		
DATE: 12-07-1997		CAGE CODE: OD2L5		
APPROVED: T. Nguyen		DATE: 12-07-1997		SIZE: N/A REV: N/A DWG NO.: 83813 DO NOT SCALE THE DRAWING
PROPRIETARY NOTICE: THE INFORMATION IN THIS DRAWING IS PROPRIETARY AND SHALL NOT BE USED OR DISCLOSED WITHOUT WRITTEN PERMISSION FROM MICROWAVE COMMUNICATIONS LABORATORIES INC. (MCLI)		THIRD ANGLE PROJECTION 		