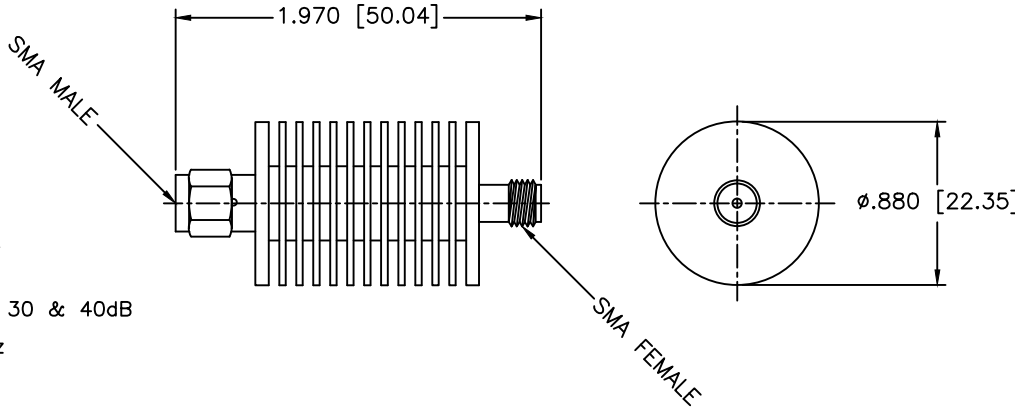


REVISIONS				
ZONE	REV	DESCRIPTION	DATE	APPROVED



SPECIFICATIONS

Frequency Range: DC-12.4 GHz
 Common dB Values: 0-6, 7-12, 20, 30 & 40dB
 Attenuation Accuracy from DC-12.4GHz
 0 to 6dB ±0.3dB
 7 to 20dB ±0.5dB
 21 to 30dB ±.7dB
 VSWR (DC-4 GHz): 1.15:1 Max.
 VSWR (4-12.4 GHz): 1.25:1 Max.

Input Power: 10Watts Average
 Derated Linearly from +25°C to 10% at +125°C
 Peak Power: 500 Watts Max.
 5uS Pluse With, 0.2% Duty Cycle

Operating Temperature: -65°C to +125°C
 Impedance: 50 ohms

Mechanical

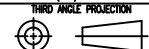
SMA Connectors: Passivated Stainless Steel
 Conductors: Gold Plated Beryllium Copper
 Housing: Anodized Aluminum

MATERIAL:			MICROWAVE COMMUNICATIONS LABORATORIES INC. 7255 30TH AVE. N. SAINT PETERSBURG, FL 33710 TEL: (727) 344-6254 FAX: (727) 381-6116 http://WWW.MCLI.COM		SCALE:	N/A	
UNLESS OTHERWISE SPECIFIED: TOLERANCES IN (INCHES) OR [mm] (MILLIMETERS) FRACTIONS: ± 1/64 DECIMALS: ±.02 ±.008 ANGLE: ±1/2°			DRAWING TITLE:		SHEET:		N/A
DRAWN:		DATE:		PART NO.			10 WATTS ATTENUATOR, TYPE SMA
APPROVED:		DATE:		CAGE CODE:			FAS-10-dB
Paiboon Luexhamhan T. Nguyen		02-08-2012 02-08-2012		DO NOT SCALE THE DRAWING 0D2L5		DWG NO. 83809	



UNLESS OTHERWISE SPECIFIED:
 TOLERANCES
 IN (INCHES) OR [mm] (MILLIMETERS)
 FRACTIONS: ± 1/64
 DECIMALS: ±.02 ±.008
 ANGLE: ±1/2°

PROPRIETARY NOTICE:
 THE INFORMATION IN THIS DRAWING IS PROPRIETARY
 AND SHALL NOT BE USED OR DISCLOSED WITHOUT WRITTEN
 PERMISSION FROM MICROWAVE COMMUNICATIONS
 LABORATORIES INC. (MCLI)



DRAWING TITLE:
 10 WATTS ATTENUATOR, TYPE SMA

PART NO.
 FAS-10-dB

CAGE CODE: 0D2L5
 SIZE: A
 REV: A
 DWG NO. 83809