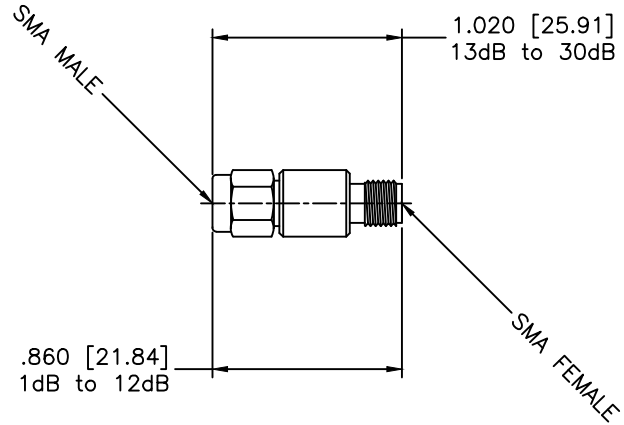


REVISIONS				
ZONE	REV	DESCRIPTION	DATE	APPROVED

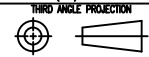


MATERIAL:			MICROWAVE COMMUNICATIONS LABORATORIES INC. 7255 30TH AVE. N. SAINT PETERSBURG, FL 33710 TEL: (727) 344-6254 FAX: (727) 381-6116 http://WWW.MCLI.COM		SCALE:	N/A
			UNLESS OTHERWISE SPECIFIED: TOLERANCES IN (INCHES) OR [mm] (MILLIMETERS) FRACTIONS: ± 1/64 DECIMALS: ±.020 ANGLE: ±1/2°	DRAWING TITLE:		SHEET:
DRAWN:		DATE:	PART NO.			
Paiboon Luekhamhan		12-07-1997	FAS-1			
APPROVED:		DATE:	CAGE CODE:	SIZE:	REV:	DWG NO.
T. Nguyen		12-07-1997	OD2L5	A	N/A	80782
			DO NOT SCALE THE DRAWING			



UNLESS OTHERWISE SPECIFIED:
TOLERANCES
IN (INCHES) OR [mm] (MILLIMETERS)
FRACTIONS: ± 1/64
DECIMALS: ±.020
ANGLE: ±1/2°

PROPRIETARY NOTICE:
THE INFORMATION IN THIS DRAWING IS PROPRIETARY
AND SHALL NOT BE USED OR DISCLOSED WITHOUT WRITTEN
PERMISSION FROM MICROWAVE COMMUNICATIONS
LABORATORIES INC. (MCLI)



DRAWING TITLE:
COAXIAL ATTENUATOR

PART NO.
FAS-1

CAGE CODE: OD2L5
SIZE: A
REV: N/A
DWG NO.: 80782

DO NOT SCALE THE DRAWING