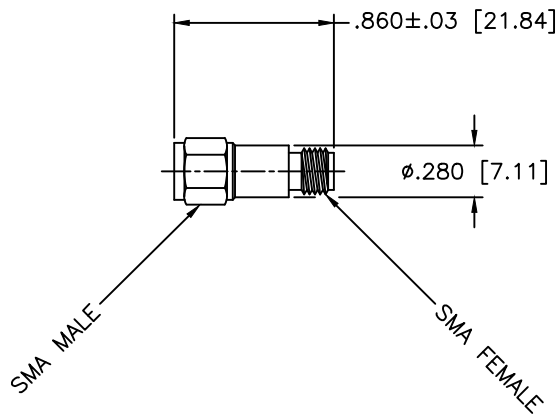


REVISIONS				
ZONE	REV	DESCRIPTION	DATE	APPROVED



**SPECIFICATIONS**

Frequency Range: DC-4 GHz  
 Attenuation Accuracy: 0-6dB ±0.3dB  
 VSWR: 1.15:1  
 Average Power: 2 Watts @ 25°C  
 Peak Power: 250 Watts Max.  
 Operating Temperature: -65°C to +125°C  
 Impedance: 50 ohms

MATERIAL:			MICROWAVE COMMUNICATIONS LABORATORIES INC. 7255 30TH AVE. N. SAINT PETERSBURG, FL 33710 TEL: (727) 344-6254 FAX: (727) 381-6116 http://WWW.MCLI.COM		SCALE: N/A
			UNLESS OTHERWISE SPECIFIED: TOLERANCES IN (INCHES) OR [mm] (MILLIMETERS) FRACTIONS: ± 1/64 DECIMALS: ±.01 ±.005 ANGLE: ±1/2°		SHEET: N/A
DRAWN: Paiboon Luekhamhan		DATE: 11-21-2006		DRAWING TITLE: SMA ATTENUATOR	
APPROVED: T. Nguyen		DATE: 11-21-2006		PART NO. FAS-1-2	
		PROPRIETARY NOTICE: THE INFORMATION IN THIS DRAWING IS PROPRIETARY AND SHALL NOT BE USED OR DISCLOSED WITHOUT WRITTEN PERMISSION FROM MICROWAVE COMMUNICATIONS LABORATORIES INC. (MCLI)		CAGE CODE: OD2L5	DWG NO. 82707
		THIRD ANGLE PROJECTION 		SIZE: A	REV: N/A
				DO NOT SCALE THE DRAWING	