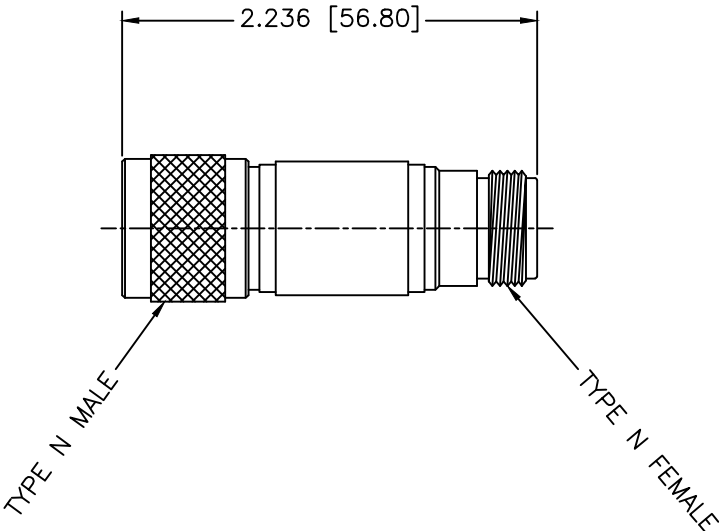


REVISIONS				
ZONE	REV	DESCRIPTION	DATE	APPROVED

PART NUMBER	ATTENUATOR	ACCURACY
FAN-01-MF	-1dB	±0.3dB
FAN-02-MF	-2dB	±0.3dB
FAN-03-MF	-3dB	±0.3dB
FAN-04-MF	-4dB	±0.3dB
FAN-05-MF	-5dB	±0.3dB
FAN-06-MF	-6dB	±0.3dB
FAN-07-MF	-7dB	±0.3dB
FAN-08-MF	-8dB	±0.3dB
FAN-09-MF	-9dB	±0.3dB
FAN-10-MF	-10dB	±0.5dB
FAN-15-MF	-15dB	±0.5dB
FAN-20-MF	-20dB	±1.0dB
FAN-30-MF	-30dB	±1.0dB



**SPECIFICATIONS**

Frequency Range: DC-3 GHz  
 VSWR: 1.20:1 Max.  
 Power Rating: 1 Watt  
 Impedance: 50 Ohms  
 Temperature Range: -30°C to +70°C

**MATERIAL & FINISHING**

Nickel Plated Brass Body  
 Gold Plated Beryllium Copper Contact Probe  
 PTFE Teflon Insulator

MATERIAL:		MICROWAVE COMMUNICATIONS LABORATORIES INC. 7255 30TH AVE. N. SAINT PETERSBURG, FL 33710 TEL: (727) 344-6254 FAX: (727) 381-6116 http://WWW.MCLI.COM	SCALE:	N/A
			SHEET:	N/A
UNLESS OTHERWISE SPECIFIED: TOLERANCES IN (INCHES) OR [mm] (MILLIMETERS) FRACTIONS: ± 1/64 DECIMALS: ±.01 ±.005 ANGLE: ±1/2°		DRAWING TITLE:		
		TYPE N COAXIAL ATTENUATOR		
DRAWN:		PART NO.		
Paiboon Luekhamhan		FAN-dB-MF		
DATE:		CAGE CODE:	SIZE:	REV:
12-07-1997		OD2L5	A	N/A
APPROVED:		DO NOT SCALE THE DRAWING		DWG NO.
T. Nguyen				83780
DATE:		PROPRIETARY NOTICE: THE INFORMATION IN THIS DRAWING IS PROPRIETARY AND SHALL NOT BE USED OR DISCLOSED WITHOUT WRITTEN PERMISSION FROM MICROWAVE COMMUNICATIONS LABORATORIES INC. (MCLI) THIRD ANGLE PROJECTION		
12-07-1997				