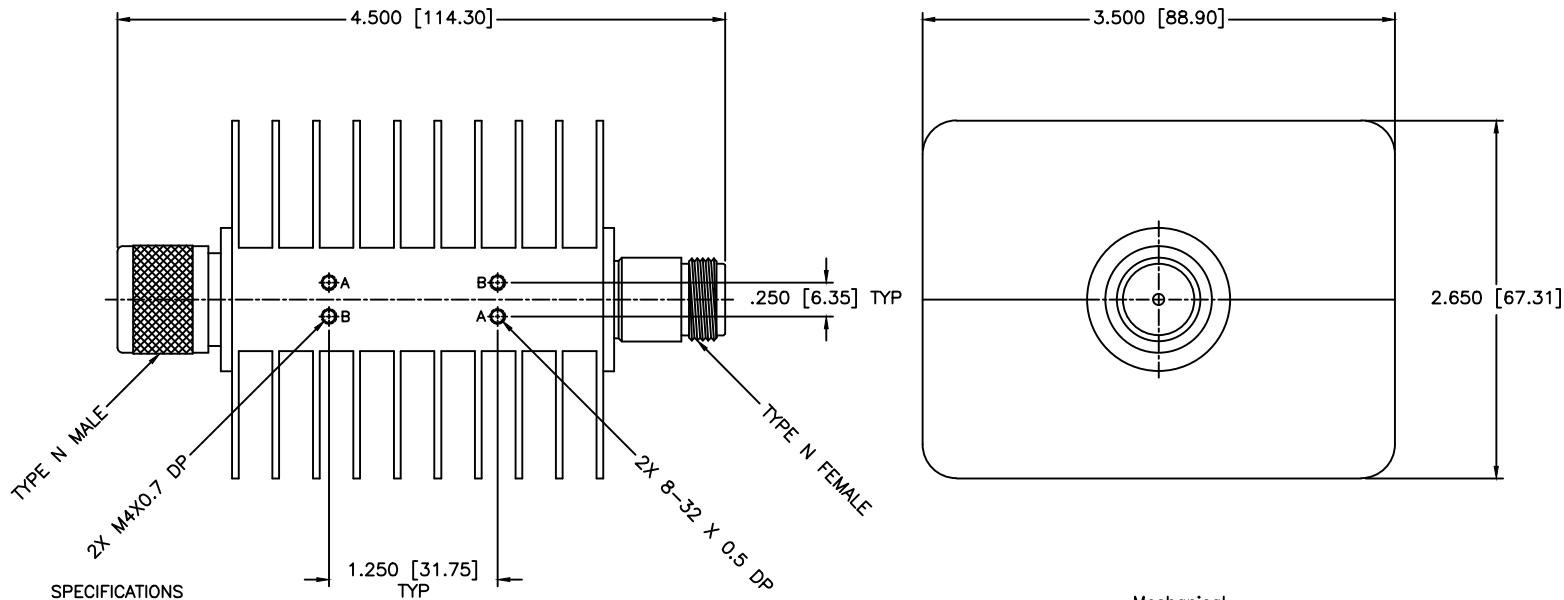


PART NUMBER / FREQUENCY	
FAN-7-dB	DC to 3.0 GHz
FAN-8-dB	DC to 5.0 GHz
FAN-13-dB	DC to 6.0 GHz
FAN-24-dB	DC to 18.0 GHz

REVISIONS				
ZONE	REV	DESCRIPTION	DATE	APPROVED



**SPECIFICATIONS**

Frequency Range: DC-18 GHz  
 Standard Frequency Values: 6 & 18 GHz  
 Common dB Values: 3, 6, 10, 20, 30 & 40dB  
 Attenuation Accuracy:  
 DC-6GHz    6-12.4GHz    12.4-18GHz  
 3dB, 6dB ±0.75dB    ±0.75dB    ±0.75dB  
 10dB, 20dB ±0.75dB    ±0.75dB    ±1.00dB  
 30dB ±0.75dB    ±1.00dB    ±1.25dB  
 40dB ±1.00dB    ±1.25dB    ±1.50dB  
 VSWR Max.  
 DC-6, -12, -18 GHz: 1.25:1, 1.35:1, 1.45:1  
 Input Power: 50W Avg. @ +25°C  
 Derated Linearly to 10W @ +125°C  
 Peak Power: 500W Max.  
 Operating Temperature: -65°C to +125°C  
 Impedance: 50 Ohms

**Mechanical**

Shell: Passivated Stainless Steel  
 Contact: Gold Plated Beryllium Copper  
 Housing: Anodized Aluminum

MATERIAL:			MICROWAVE COMMUNICATIONS LABORATORIES INC. 7255 30TH AVE. N. SAINT PETERSBURG, FL 33710 TEL: (727) 344-6254 FAX: (727) 381-6116 http://WWW.MCLI.COM		SCALE:	N/A	
UNLESS OTHERWISE SPECIFIED: TOLERANCES IN (INCHES) OR [mm] (MILLIMETERS) FRACTIONS: ± 1/64 DECIMALS: ±.020 ANGLE: ±1/2°			DRAWING TITLE:		SHEET:		N/A
DRAWN:		DATE:		DRAWING TITLE:			50 WATTS ATTENUATOR, TYPE N
APPROVED:		DATE:		PART NO.			FAN-8-dB
T. Nguyen		12-07-1997		CAGE CODE:		OD2L5	
				SIZE:		N/A	
				REV:		N/A	
				DWG NO.		83821	
				DO NOT SCALE THE DRAWING			