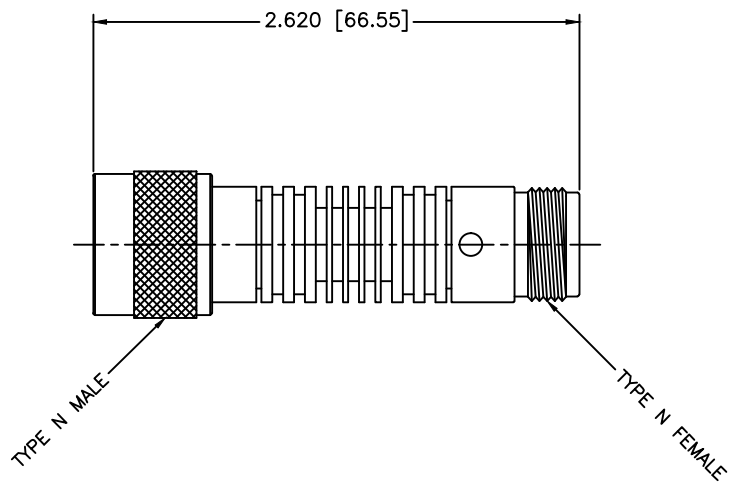


REVISIONS				
ZONE	REV	DESCRIPTION	DATE	APPROVED



SPECIFICATIONS

Frequency Range: DC-6 GHz
 VSWR: 1.20:1 Max.
 Power Average: 10 Watts @ 25° C
 Power Peak: 1kW
 Impedance: 50 Ohms
 Attenuation Accuracy:
 1dB to 9dB ±0.30dB
 10dB to 20dB ±0.50dB
 30dB ±1.00dB

Mechanical

Material Body: Passivated Stainless Steel
 Contacts: Gold Plated

Environmental

Temperature Range -55°C to +125°C
 ROHS Compliant

MATERIAL:			MICROWAVE COMMUNICATIONS LABORATORIES INC. 7255 30TH AVE. N. SAINT PETERSBURG, FL 33710 TEL: (727) 344-6254 FAX: (727) 381-6116 http://WWW.MCLI.COM		SCALE: N/A
UNLESS OTHERWISE SPECIFIED: TOLERANCES IN (INCHES) OR [mm] (MILLIMETERS) FRACTIONS: ± 1/64 DECIMALS: ±.025 ±.015 ANGLE: ±1/2°			DRAWING TITLE: 10 WATTS COAXIAL ATTENUATOR, TYPE N		SHEET: N/A
DRAWN: Paiboon Luekhamhan		DATE: 08-25-2011		PART NO. FAN-35-dB	
APPROVED: T. Nguyen		DATE: 08-25-2011		CAGE CODE: 0D2L5	SIZE: A REV: N/A DWG NO. 85863
		PROPRIETARY NOTICE: THE INFORMATION IN THIS DRAWING IS PROPRIETARY AND SHALL NOT BE USED OR DISCLOSED WITHOUT WRITTEN PERMISSION FROM MICROWAVE COMMUNICATIONS LABORATORIES INC. (MCLI)		DO NOT SCALE THE DRAWING	

