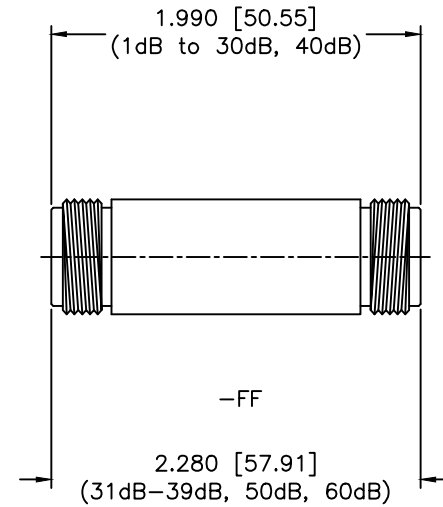
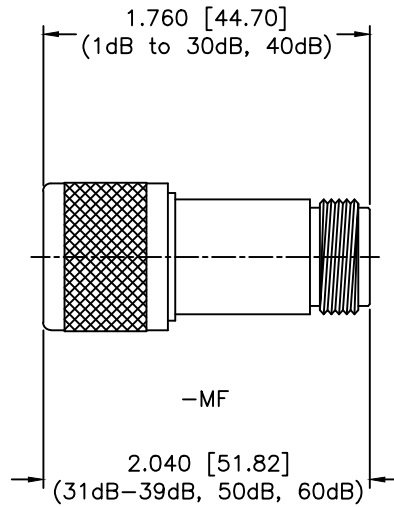
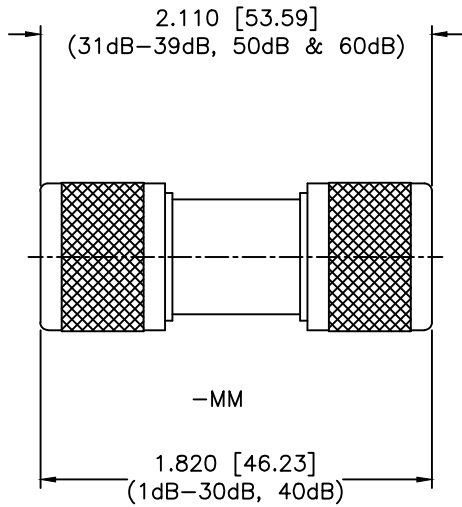


PART NUMBER / FREQUENCY	
FAN-18-dB	DC-18 GHz
FAN-19-dB	DC-2.5 GHz
FAN-20-dB	DC-6 GHz
FAN-21-dB	DC-8 GHz

REVISIONS				
ZONE	REV	DESCRIPTION	DATE	APPROVED



SPECIFICATIONS

Frequency Range: DC-18 GHz
 Standard Frequency Values: 2.5, 6 & 18 GHz
 Common dB Values: 3, 6, 10, 20, 30 & 60dB
 Attenuation Range Accuracy
 0dB - 6dB ±0.3dB
 7dB - 20dB ±0.5dB
 21dB - 30dB ±0.75dB
 31dB - 40dB ±1.5dB
 VSWR Max.
 DC-4,-8,-12,-18 GHz: 1.15:1, 1.2:1, 1.25:1, 1.35:1
 Input Power: 2W Avg. @ +25°C
 Derated Linearly to 0.5W @ +125°C
 Peak Power: 250 Watts Max.
 Operating Temperature: -65°C to +125°C
 Impedance: 50 ohms

MECHANICAL

Shell: Passivated Stainless Steel
 Contact: Gold Plated Beryllium Copper

MATERIAL:			MICROWAVE COMMUNICATIONS LABORATORIES INC. 7255 30TH AVE. N. SAINT PETERSBURG, FL 33710 TEL: (727) 344-6254 FAX: (727) 381-6116 http://WWW.MCLI.COM		SCALE: N/A
UNLESS OTHERWISE SPECIFIED: TOLERANCES IN (INCHES) OR [mm] (MILLIMETERS) FRACTIONS: ± 1/64 DECIMALS: ±.030 ANGLE: ±1/2°			DRAWING TITLE: TYPE N ATTENUATOR, 2 WATTS		SHEET: N/A
DRAWN: Paiboon Luexhamhan		DATE: 12-07-1997		PART NO. FAN-21-dB-X	
APPROVED: T. Nguyen		DATE: 12-07-1997		CAGE CODE: OD2L5	SIZE: A
PROPRIETARY NOTICE: THE INFORMATION IN THIS DRAWING IS PROPRIETARY AND SHALL NOT BE USED OR DISCLOSED WITHOUT WRITTEN PERMISSION FROM MICROWAVE COMMUNICATIONS LABORATORIES INC. (MCLI)		THIRD ANGLE PROJECTION 		REV: N/A	DWG NO. 83836
				DO NOT SCALE THE DRAWING	