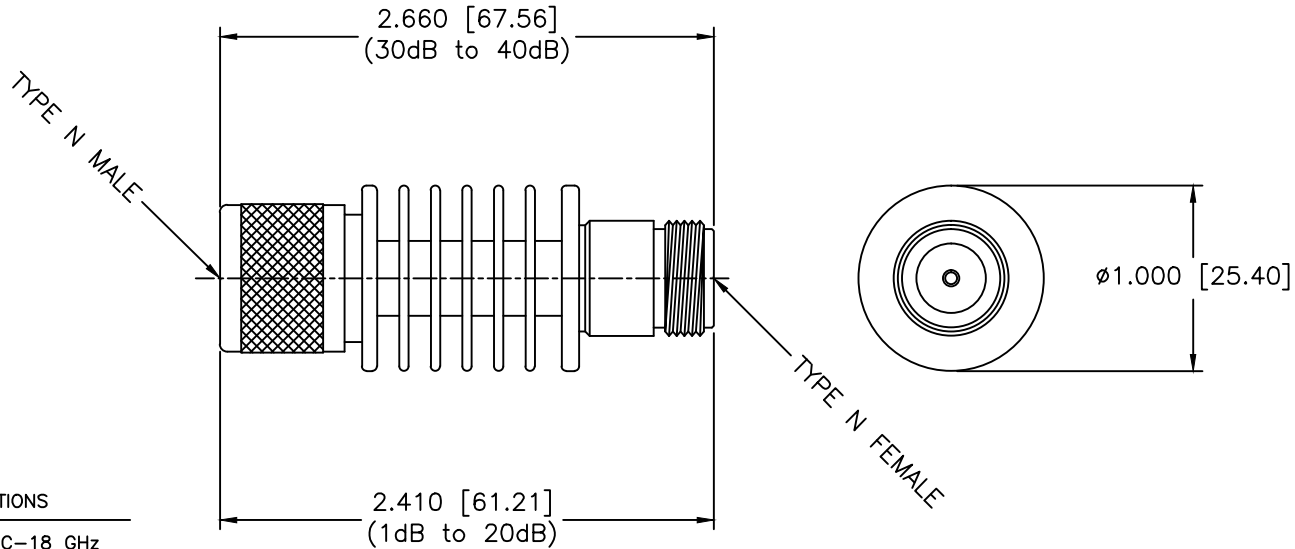


**PART NUMBER / FREQUENCY**

FAN-1-dB	DC-2 GHz
FAN-2-dB	DC-4 GHz
FAN-3-dB	DC-6 GHz
FAN-12-dB	DC-12.4 GHz
FAN-22-dB	DC-18 GHz

REVISIONS				
ZONE	REV	DESCRIPTION	DATE	APPROVED



**SPECIFICATIONS**

Frequency Range: DC-18 GHz  
 Standard Frequency Values: 2.5, 6, 12.4 & 18 GHz  
 Common dB Values: 3, 6, 10, 20, 30 & 40dB  
 Attenuation Accuracy:  

	DC-12.4GHz	12.4-18GHz
0dB - 6dB	±0.3dB	±0.5dB
7dB - 20dB	±0.5dB	±0.7dB
21dB - 40dB	±0.7dB	±1.0dB

 VSWR Max.  
 DC-6, 12, 18 GHz: 1.20:1, 1.30:1, 1.40:1  
 Input Power: 10W Avg. @ 25°C  
 Derated Linearly to 2 Watts @ 125°C  
 Peak Power: 500W Max.  
 Operating Temperature: -65°C to +125°C  
 Impedance: 50 Ohms

**MECHANICAL**

Connector Shell: Stainless Steel  
 Connector Contact: Gold Plated Beryllium Copper  
 Housing: Aluminum

MATERIAL:		MICROWAVE COMMUNICATIONS LABORATORIES INC. 7255 30TH AVE. N. SAINT PETERSBURG, FL 33710 TEL: (727) 344-6254 FAX: (727) 381-6116 http://WWW.MCLI.COM	SCALE:	N/A
			SHEET:	N/A
UNLESS OTHERWISE SPECIFIED: TOLERANCES IN (INCHES) OR [mm] (MILLIMETERS) FRACTIONS: ± 1/64 DECIMALS: ±.050 ANGLE: ±1/2°		DRAWING TITLE:		
		10 WATTS ATTENUATOR, TYPE N		
DRAWN:		PART NO.		
Paiboon Luekhamhan		FAN-2-dB		
DATE:		CAGE CODE:	SIZE:	REV:
12-07-1997		OD2L5	A	N/A
APPROVED:		DO NOT SCALE THE DRAWING		DWG NO.
T. Nguyen				83829
12-07-1997		THIRD ANGLE PROJECTION		