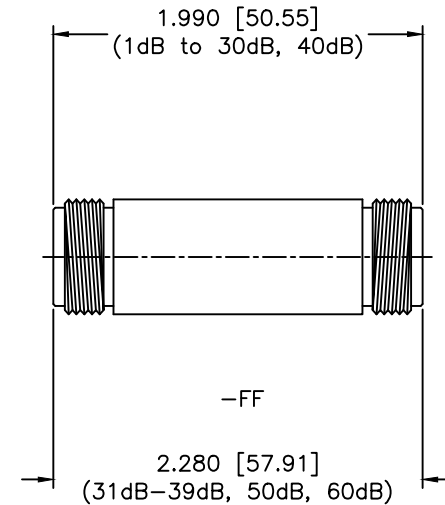
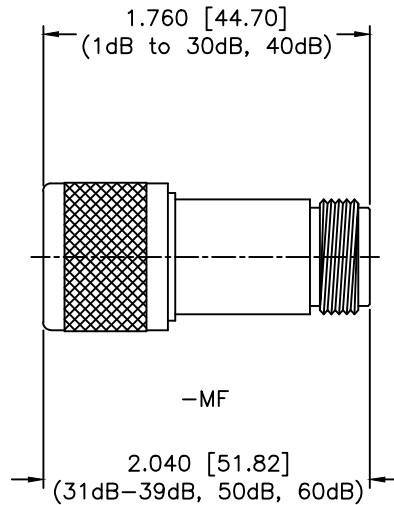
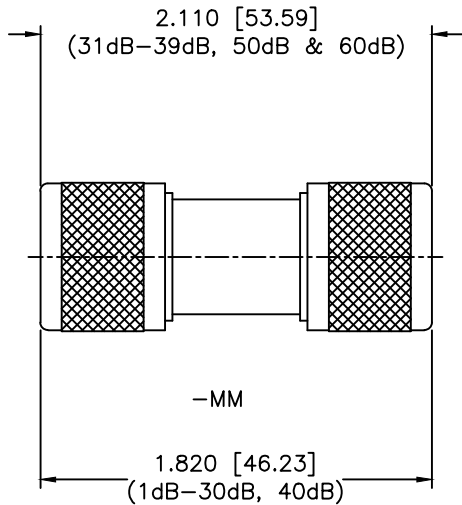


PART NUMBER / FREQUENCY	
FAN-18-dB	DC-18 GHz
FAN-19-dB	DC-2.5 GHz
FAN-20-dB	DC-6 GHz
FAN-21-dB	DC-8 GHz

REVISIONS				
ZONE	REV	DESCRIPTION	DATE	APPROVED



SPECIFICATIONS

Frequency Range: DC-18 GHz
 Standard Frequency Values: 2.5, 6 & 18 GHz
 Common dB Values: 3, 6, 10, 20, 30 & 60dB

Attenuation Range	Accuracy
0dB - 6dB	±0.3dB
7dB - 20dB	±0.5dB
21dB - 30dB	±0.75dB
31dB - 40dB	±1.5dB

VSWR Max.
 DC-4,-8,-12,-18 GHz: 1.15:1, 1.2:1, 1.25:1, 1.35:1
 Input Power: 2W Avg. @ +25°C
 Derated Linearly to 0.5W @ +125°C
 Peak Power: 250 Watts Max.
 Operating Temperature: -65°C to +125°C
 Impedance: 50 ohms

MECHANICAL

Shell: Passivated Stainless Steel
 Contact: Gold Plated Beryllium Copper

MATERIAL:			MICROWAVE COMMUNICATIONS LABORATORIES INC. 7255 30TH AVE. N. SAINT PETERSBURG, FL 33710 TEL: (727) 344-6254 FAX: (727) 381-6116 http://WWW.MCLI.COM		SCALE: N/A
UNLESS OTHERWISE SPECIFIED: TOLERANCES IN (INCHES) OR [mm] (MILLIMETERS) FRACTIONS: ± 1/64 DECIMALS: ±0.030 ANGLE: ±1/2°			DRAWING TITLE: TYPE N ATTENUATOR, 2 WATTS		SHEET: N/A
DRAWN: Paiboon Luekhamhan		DATE: 12-07-1997		PART NO. FAN-18-dB-X	
APPROVED: T. Nguyen		DATE: 12-07-1997		CAGE CODE: OD2L5	SIZE: A REV: N/A DWG NO. 83833
PROPRIETARY NOTICE: THE INFORMATION IN THIS DRAWING IS PROPRIETARY AND SHALL NOT BE USED OR DISCLOSED WITHOUT WRITTEN PERMISSION FROM MICROWAVE COMMUNICATIONS LABORATORIES INC. (MCLI)		THIRD ANGLE PROJECTION 		DO NOT SCALE THE DRAWING	