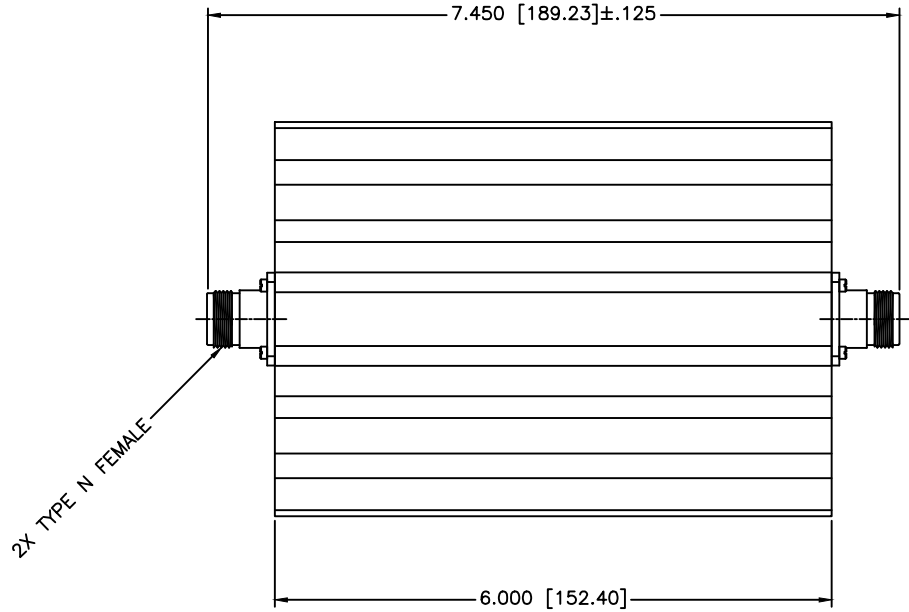
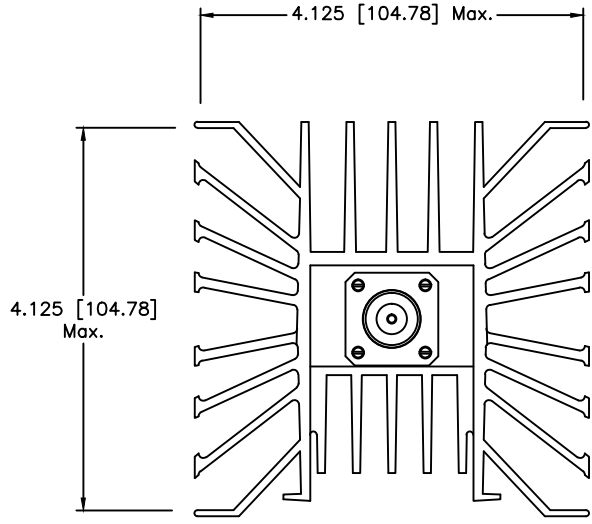


REVISIONS				
ZONE	REV	DESCRIPTION	DATE	APPROVED



SPECIFICATIONS

- Impedance: 50 Ohm Nominal
- VSWR: DC to 1 GHz = <1.15:1
- 1 to 2.4 GHz = <1.35:1
- Power: 150 Watts Average Max. @ +25°C Ambient
- Derate Linearly to 0 Watt @ 150°C
- Peak Power 1.2 kW Max.
- ATT: 3 to 30dB
- ATT. Accuracy: Dc to 2.4 GHz ±.3dB or 3% Whichever is greater
- Connector: Type N Female Input and Output
- Substrate: Beryllium Oxide Ceramic
- Housing: Aluminum With Black Anodize
- Heat Spreader: Copper

DRAWN: Palboon Luekhamhan	DATE: 05-04-2008	MCLI MICROWAVE COMMUNICATIONS LABORATORIES INC. 7230 20TH AVE. N. SAINT PETERSBURG, FL 33710 TEL: (727) 344-8254 FAX: (727) 381-8116 WWW.MCLI.COM	SCALE: N/A
			SHEET: N/A
UNLESS OTHERWISE SPECIFIED: TOLERANCES: IN (INCHES) OR (mm) MILLIMETERS FRACTIONS: ± 1/64 DECIMALS: ±.01 ±.005 ANGLES: ±1/2°		DRAWING TITLE: 150 Watts Attenuator	
APPROVED: T. Nguyen		PART NO. FAN-10	
DATE: 05-04-2008		CAGE CODE: 0D2L5	REV: N/A
DO NOT SCALE THE DRAWING		DRAW NO. 82543	