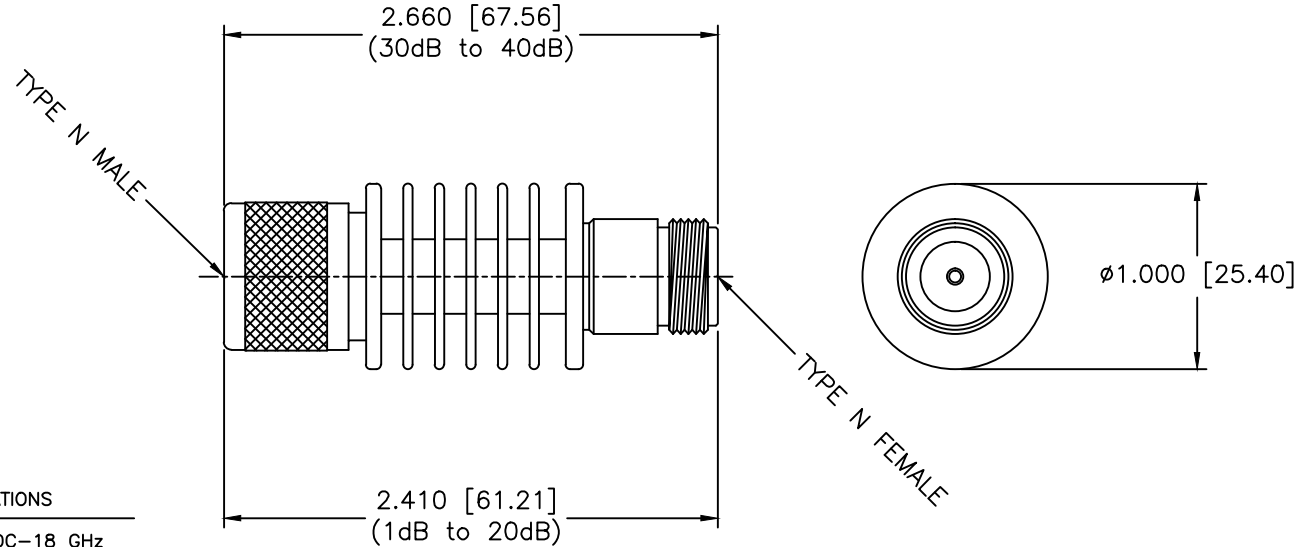


REVISIONS				
ZONE	REV	DESCRIPTION	DATE	APPROVED

PART NUMBER / FREQUENCY
FAN-1-dB DC-2 GHz
FAN-2-dB DC-4 GHz
FAN-3-dB DC-6 GHz
FAN-12-dB DC-12.4 GHz
FAN-22-dB DC-18 GHz



SPECIFICATIONS

Frequency Range: DC-18 GHz
 Standard Frequency Values: 2.5, 6, 12.4 & 18 GHz
 Common dB Values: 3, 6, 10, 20, 30 & 40dB
 Attenuation Accuracy:
 DC-12.4GHz 12.4-18GHz
 0dB - 6dB ±0.3dB ±0.5dB
 7dB - 20dB ±0.5dB ±0.7dB
 21dB - 40dB ±0.7dB ±1.0dB
 VSWR Max.
 DC-6, 12, 18 GHz: 1.20:1, 1.30:1, 1.40:1
 Input Power: 10W Avg. @ 25°C
 Derated Linearly to 2 Watts @ 125°C
 Peak Power: 500W Max.
 Operating Temperature: -65°C to +125°C
 Impedance: 50 Ohms

MECHANICAL

Connector Shell: Stainless Steel
 Connector Contact: Gold Plated Beryllium Copper
 Housing: Aluminum

MATERIAL:		MICROWAVE COMMUNICATIONS LABORATORIES INC. 7255 30TH AVE. N. SAINT PETERSBURG, FL 33710 TEL: (727) 344-6254 FAX: (727) 381-6116 http://WWW.MCLI.COM	SCALE:	N/A
			SHEET:	N/A
UNLESS OTHERWISE SPECIFIED: TOLERANCES IN (INCHES) OR [mm] (MILLIMETERS) FRACTIONS: ± 1/64 DECIMALS: ±.050 ANGLE: ±1/2°		DRAWING TITLE: 10 WATTS ATTENUATOR, TYPE N		
DRAWN: Paiboon Luekhamhan		PART NO. FAN-1-dB		
DATE: 12-07-1997		CAGE CODE: OD2L5		
APPROVED: T. Nguyen		DATE: 12-07-1997		SIZE: A REV: N/A DWG NO. 83828
THIRD ANGLE PROJECTION		DO NOT SCALE THE DRAWING		