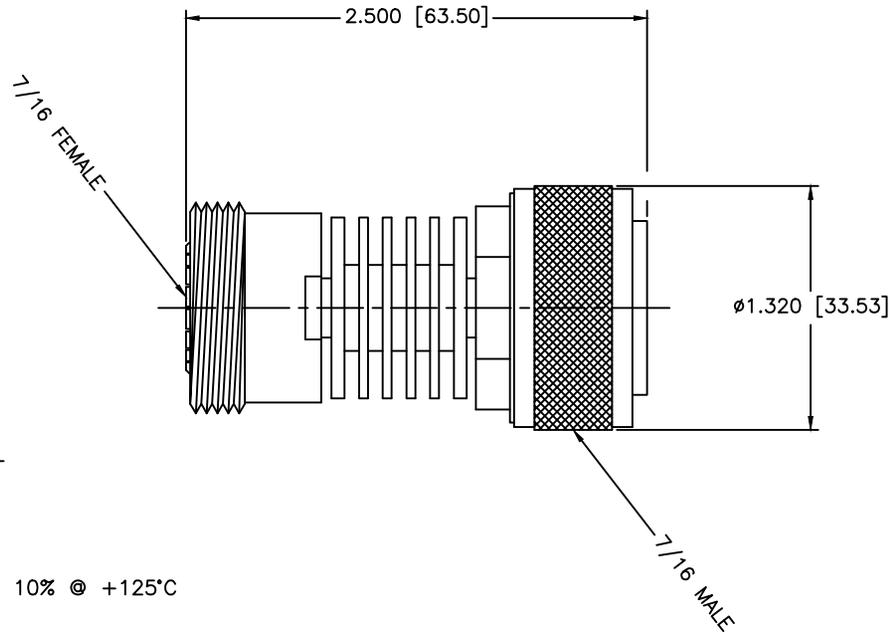


REVISIONS				
ZONE	REV	DESCRIPTION	DATE	APPROVED



SPECIFICATIONS

Frequency Range: DC–8 GHz
 VSWR: 1.40:1 Max.
 Power Rating: 5 Watt @ 25°C
 Derates Linearly to 10% @ +125°C
 Power Peak: 500 Watts
 5uSec Pulse Width, 0.20% Duty Cycle
 Impedance: 50 Ohms
 Attenuation Value (-X): 3dB, 6dB ±0.30dB
 Attenuation Value (-X): 10dB ±0.50dB
 Attenuation Value (-X): 15dB–30dB ±0.75dB
 Temperature Range: -55°C to +125°C

Mechanical

Body: Brass Alloy, Low IM3 Plated
 Dielectric: Teflon
 Contact: Copper Silver Plated

MATERIAL:			MICROWAVE COMMUNICATIONS LABORATORIES INC. 7255 30TH AVE. N. SAINT PETERSBURG, FL 33710 TEL: (727) 344-6254 FAX: (727) 381-6116 http://WWW.MCLI.COM		SCALE: N/A
					SHEET: N/A
UNLESS OTHERWISE SPECIFIED: TOLERANCES IN (INCHES) OR [mm] (MILLIMETERS) FRACTIONS: ± 1/64 DECIMALS: ±.01 ±.005 ANGLE: ±1/2°		DRAWING TITLE: 5 WATTS COAXIAL ATTENUATOR, 7/16			
DRAWN: Paiboon Luekhamhan		DATE: 05-21-2012		PART NO. FAD-8-5-X	
APPROVED: T. Nguyen		DATE: 05-21-2012		CAGE CODE: OD2L5	SIZE: A REV: N/A DWG NO. 86102
		PROPRIETARY NOTICE: THE INFORMATION IN THIS DRAWING IS PROPRIETARY AND SHALL NOT BE USED OR DISCLOSED WITHOUT WRITTEN PERMISSION FROM MICROWAVE COMMUNICATIONS LABORATORIES INC. (MCLI)		DO NOT SCALE THE DRAWING	
		THIRD ANGLE PROJECTION 			