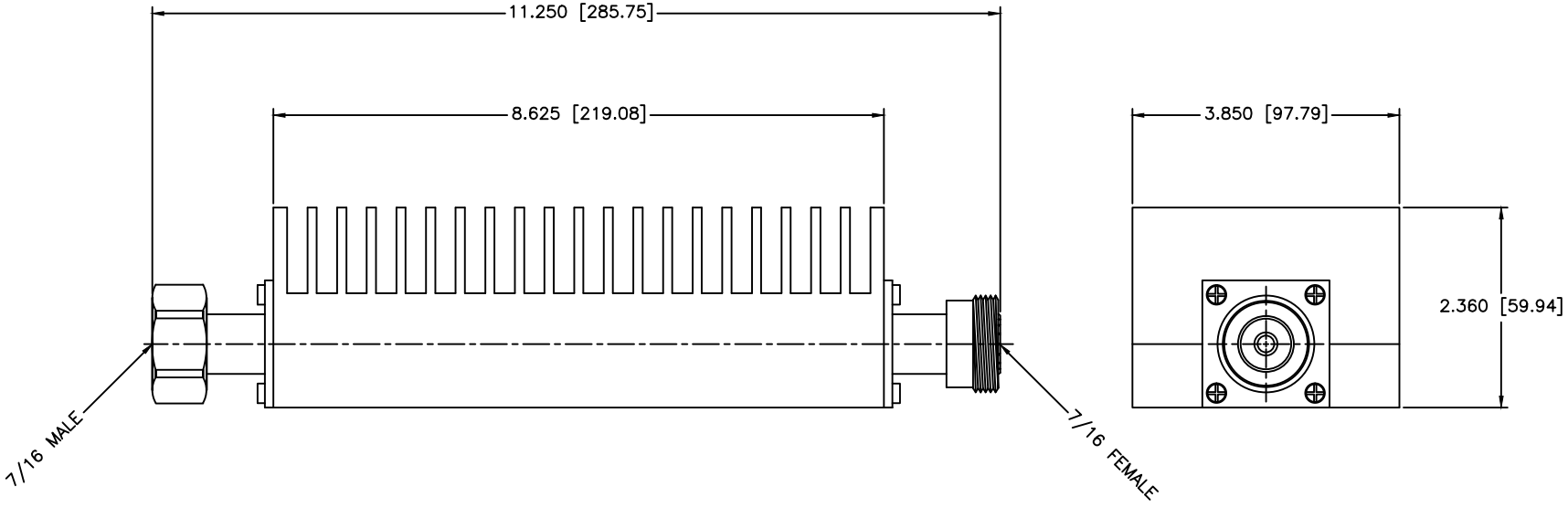


REVISIONS				
ZONE	REV	DESCRIPTION	DATE	APPROVED



SPECIFICATIONS

Frequency Range: DC-3 GHz
 VSWR @ 3GHz: 1.35:1 Max.
 Power Average: 200W @ 25°C
 Derates Linearly to 20 watts @ +125°C
 Power Peak: 10kW
 5uSec Pulse Width With 2% Duty Cycle
 Impedance: 50 Ohms
 Attenuation Accuracy
 10dB-20dB 30dB-40dB
 ±1.25dB ±0.8dB
 Temperature Range: -55°C to +125°C

MECHANICAL
 Connectors: Nickel Plated Brass
 Contacts Male/Female: Gold Plated Brass

MATERIAL:			MICROWAVE COMMUNICATIONS LABORATORIES INC. 7255 30TH AVE. N. SAINT PETERSBURG, FL 33710 TEL: (727) 344-6254 FAX: (727) 381-6116 http://WWW.MCLI.COM		SCALE: N/A
UNLESS OTHERWISE SPECIFIED: TOLERANCES IN (INCHES) OR [mm] (MILLIMETERS) FRACTIONS: ± 1/64 DECIMALS: ±0.01 ±0.005 ANGLE: ±1/2°			DRAWING TITLE: 200 WATTS COAXIAL ATTENUATOR, 7/16		SHEET: N/A
DRAWN: Paiboon Luekhamhan		DATE: 05-21-2012		PART NO.: FAD-3-200-X	
APPROVED: T. Nguyen		DATE: 05-21-2012		CAGE CODE: OD2L5	SIZE: C REV: N/A DWG NO.: 86106
THIRD ANGLE PROJECTION		DO NOT SCALE THE DRAWING			