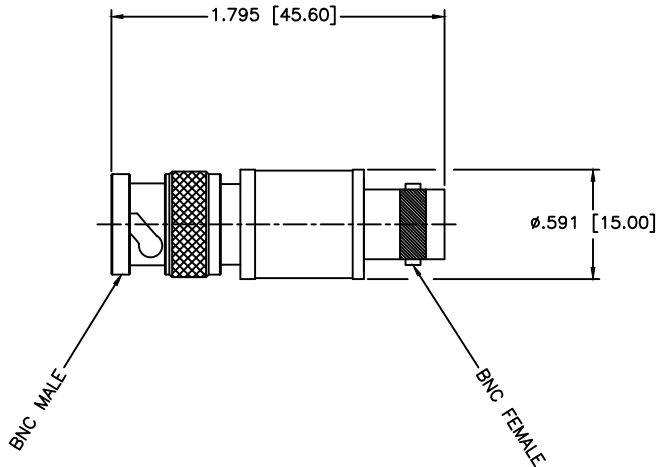


REVISIONS				
ZONE	REV	DESCRIPTION	DATE	APPROVED

PART NUMBER	ATTENUATION	ACCURACY
FAB-01-MF	-1dB	±0.3dB
FAB-02-MF	-2dB	±0.3dB
FAB-03-MF	-3dB	±0.3dB
FAB-04-MF	-4dB	±0.3dB
FAB-05-MF	-5dB	±0.3dB
FAB-06-MF	-6dB	±0.3dB
FAB-07-MF	-7dB	±0.3dB
FAB-08-MF	-8dB	±0.3dB
FAB-09-MF	-9dB	±0.3dB
FAB-10-MF	-10dB	±0.5dB
FAB-15-MF	-15dB	±0.5dB
FAB-20-MF	-20dB	±1.0dB
FAB-30-MF	-30dB	±1.0dB
FAB-40-MF	-40dB	±1.5dB



**SPECIFICATIONS**

Frequency Range: DC-2 GHz  
 VSWR: 1.20:1 Max.  
 Power Rating: 1 Watt  
 Impedance: 50 Ohms  
 Temperature Range: -30°C to +70°C

Material and Finishing  
 Nickel Plated Brass Body  
 Gold Plated Beryllium Copper Contact Probe  
 PTFE Teflon Insulator

MATERIAL:		MICROWAVE COMMUNICATIONS LABORATORIES INC. 7255 30TH AVE. N. SAINT PETERSBURG, FL 33710 TEL: (727) 344-6254 FAX: (727) 381-6116 <a href="http://WWW.MCLI.COM">http://WWW.MCLI.COM</a>	SCALE:	N/A
			SHEET:	N/A
UNLESS OTHERWISE SPECIFIED: TOLERANCES IN (INCHES) OR [mm] (MILLIMETERS) FRACTIONS: ± 1/64 DECIMALS: ±.01 ±.005 ANGLE: ±1/2°		DRAWING TITLE:		
		COAXIAL BNC ATTENUATOR		
DRAWN:		PART NO.		
Paiboon Luekhamhan		FAB-dB-MF		
DATE:		CAGE CODE:	SIZE:	REV:
12-07-1997		OD2L5	A	N/A
APPROVED:		DO NOT SCALE THE DRAWING		DWG NO.
T. Nguyen				83781
DATE:		THIRD ANGLE PROJECTION		
12-07-1997				

