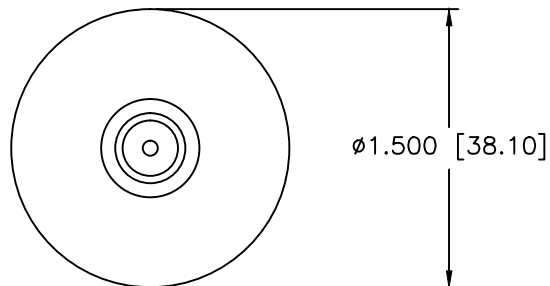
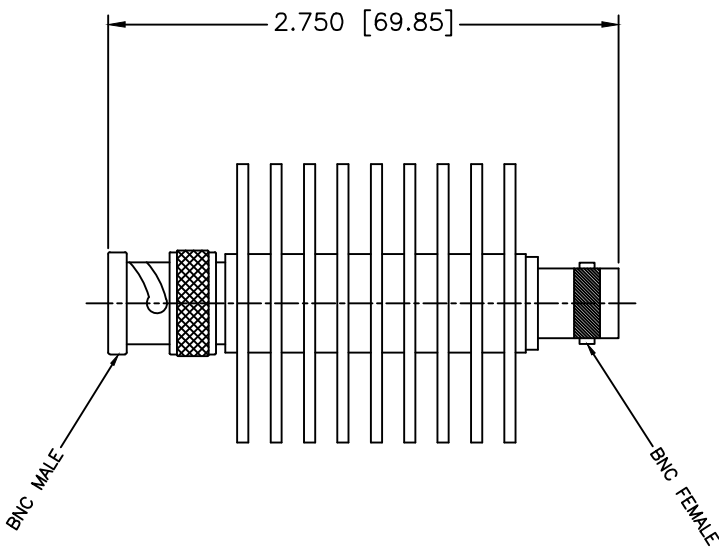


REVISIONS				
ZONE	REV	DESCRIPTION	DATE	APPROVED



**SPECIFICATIONS**

Frequency Range: DC–500 MHz  
 VSWR: 1.20:1 Max.  
 Power @ 25°C: 20 Watts  
 Attenuation Accuracy: 20dB ±0.75dB  
 Operating Temperature: –55°C to +85°C  
 Impedance: 50 ohms

**MECHANICAL**

Connector Shell: Passivated Stainless Steel  
 Conductor Contact: Gold Plated Beryllium Copper  
 Housing: Aluminum

MATERIAL:			MICROWAVE COMMUNICATIONS LABORATORIES INC. 7255 30TH AVE. N. SAINT PETERSBURG, FL 33710 TEL: (727) 344-6254 FAX: (727) 381-6116 http://WWW.MCLI.COM		SCALE:	N/A
UNLESS OTHERWISE SPECIFIED: TOLERANCES IN (INCHES) OR [mm] (MILLIMETERS) FRACTIONS: ± 1/64 DECIMALS: ±.01 ±.005 ANGLE: ±1/2°			DRAWING TITLE:		COAXIAL ATTENUATOR	
DRAWN:		DATE:		PART NO.		
Paiboon Luexhamhan		12-18-1997		FAB-500-20		
APPROVED:		DATE:		CAGE CODE:	SIZE:	REV:
T. Nguyen		12-18-1997		OD2L5	A	N/A
		PROPRIETARY NOTICE: THE INFORMATION IN THIS DRAWING IS PROPRIETARY AND SHALL NOT BE USED OR DISCLOSED WITHOUT WRITTEN PERMISSION FROM MICROWAVE COMMUNICATIONS LABORATORIES INC. (MCLI)		DO NOT SCALE THE DRAWING		DWG NO.
		THIRD ANGLE PROJECTION 				81951