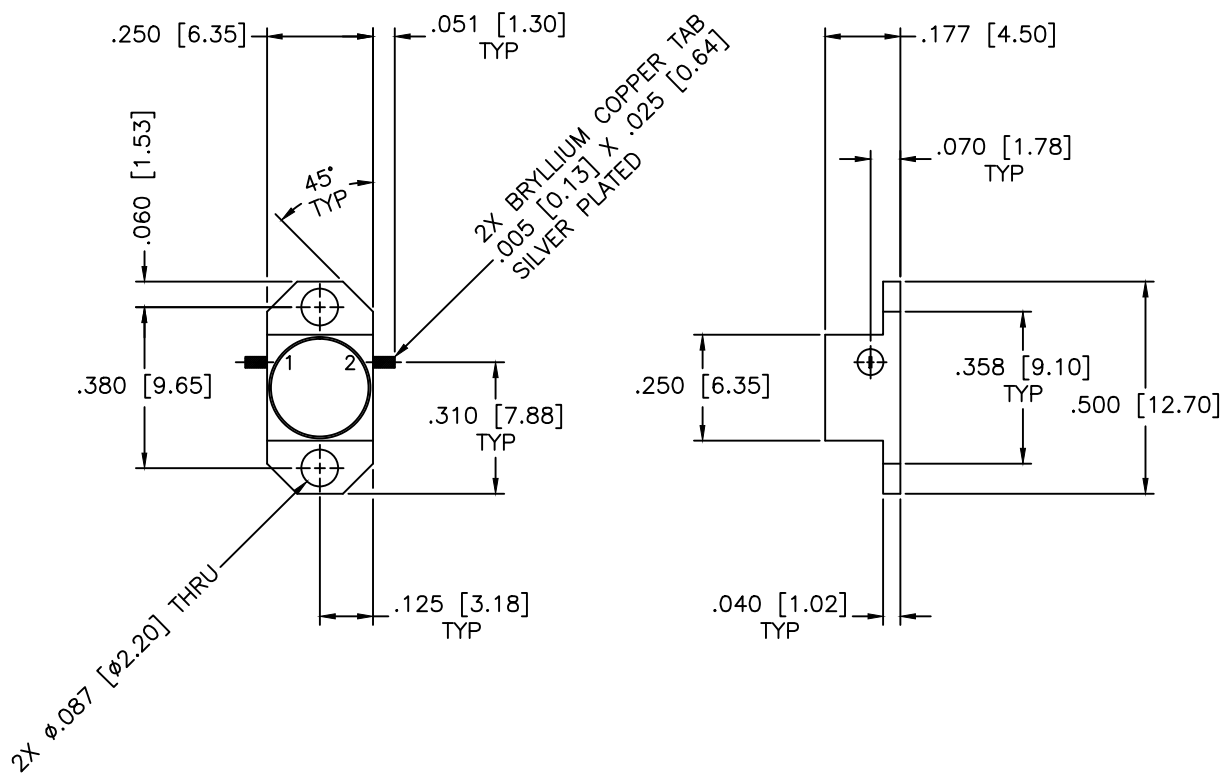


REVISIONS				
ZONE	REV	DESCRIPTION	Date	APPROVED



SPECIFICATIONS

Frequency Range: 15–18 GHz
 Isolation: 20dB Min.
 Insertion loss: 0.60dB Max.
 VSWR: 1.25:1 Max.
 Power: 1W Rev. 5W Fwd.
 Operating Temperature: -40°C to +85°C

MATERIAL:		MCLI MICROWAVE COMMUNICATIONS LABORATORIES INC. 7255 30TH AVE. N. SAINT PETERSBURG, FL 33710 TEL: (727) 344-6254 FAX: (727) 381-6116 http://WWW.MCLI.COM	SCALE: N/A
			SHEET: N/A
UNLESS OTHERWISE SPECIFIED: TOLERANCES IN (INCHES) OR [mm] (MILLIMETERS) FRACTIONS: $\pm 1/64$ DECIMALS: $\pm .01 \pm .005$ ANGLE: $\pm 1/2^\circ$		DRAWING TITLE: DROP-IN ISOLATOR, FLANGE MOUNT	
DRAWN: Paiboon Luekhamhan		PART NO.: DIFM-15	
DATE: 03-13-2008		CAGE CODE: OD2L5	
APPROVED: T. Nguyen		SIZE: N/A	REV: N/A
DATE: 03-13-2008		DWG NO.: 83965	
THIRD ANGLE PROJECTION		DO NOT SCALE THE DRAWING	