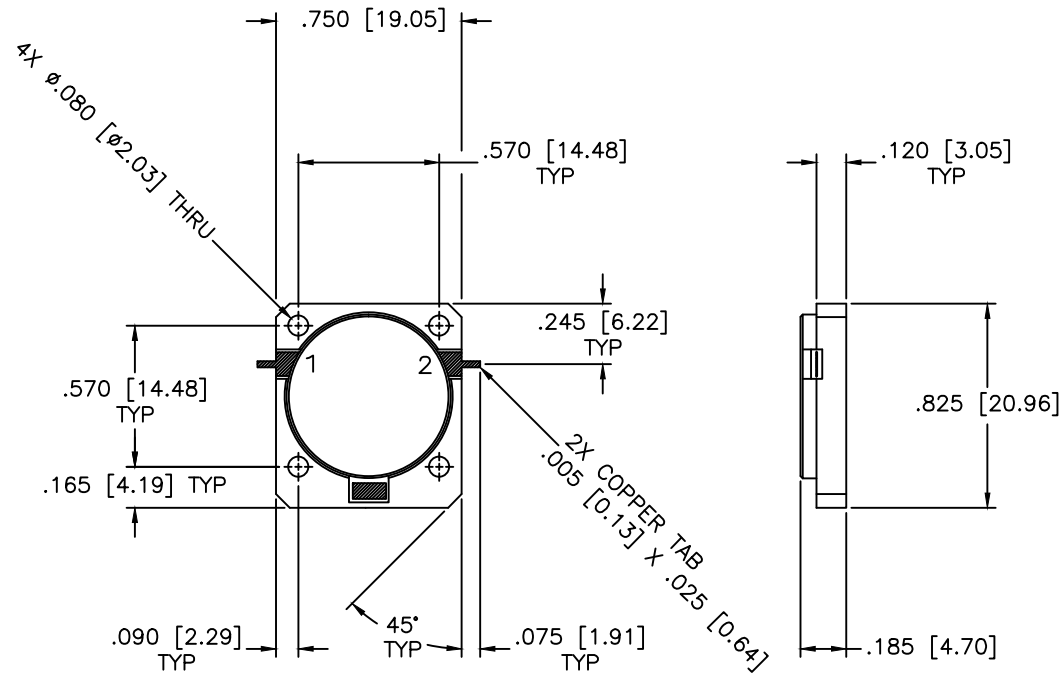


REVISIONS				
ZONE	REV	DESCRIPTION	Date	APPROVED



SPECIFICATIONS

Frequency Range: 1.92–2.17 GHz
 Isolation: –20dB Min.
 Insertion loss: 0.4dB Max.
 VSWR: 1.22:1 Max.
 Circulator Power Rating: 25 Watts
 Operating Temperature: –45°C to +85°C
 Storage Temperature: –55°C to +100°C
 Impedance: 50 Ohms Nominal

MATERIAL:		MCLI MICROWAVE COMMUNICATIONS LABORATORIES INC. 7255 30TH AVE. N. SAINT PETERSBURG, FL 33710 TEL: (727) 344-6254 FAX: (727) 381-6116 http://WWW.MCLI.COM	SCALE: N/A
			SHEET: N/A
UNLESS OTHERWISE SPECIFIED: TOLERANCES IN (INCHES) OR [mm] (MILLIMETERS) FRACTIONS: ± 1/64 DECIMALS: ±.01 ±.008 ANGLE: ±1/2°		DRAWING TITLE: DROP-IN ISOLATOR	
DRAWN: Paiboon Luekhamhan DATE: 10-27-2011		PART NO.: DI-95	
APPROVED: T. Nguyen DATE: 10-27-2011		CAGE CODE: OD2L5	SIZE: N/A REV: N/A DWG NO. 85919
<small>PROPERTY NOTICE: THE INFORMATION IN THIS DRAWING IS PROPRIETARY AND SHALL NOT BE USED OR DISCLOSED WITHOUT WRITTEN PERMISSION FROM MICROWAVE COMMUNICATIONS LABORATORIES INC. (MCLI)</small>		DO NOT SCALE THE DRAWING	