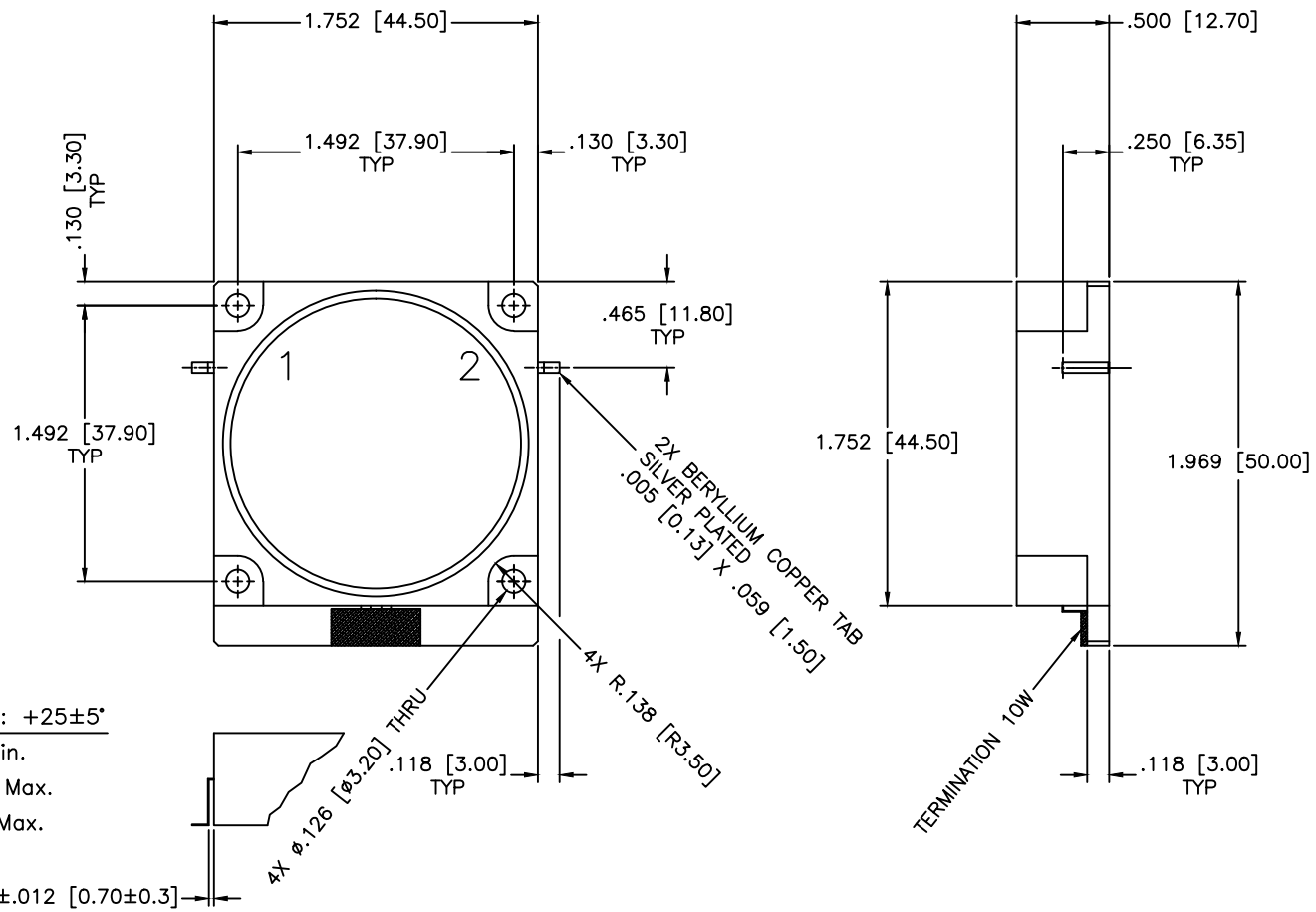


REVISIONS				
ZONE	REV	DESCRIPTION	Date	APPROVED



Spec. Room Temp: +25±5°
 Isolation: 27dB Min.
 Insertion loss: 0.45dB Max.
 VSWR: 1.15:1 Max.

SPECIFICATIONS

Frequency Range: 362–382 MHz
 Isolation: 25dB Min.
 Insertion loss: 0.50dB Max.
 VSWR: 1.22:1 Max.
 Average Power: 10 Watts
 Operating Temperature: -30°C to +70°C

MATERIAL:		MCLI MICROWAVE COMMUNICATIONS LABORATORIES INC. 7255 30TH AVE. N. SAINT PETERSBURG, FL 33710 TEL: (727) 344-6254 FAX: (727) 381-6116 http://WWW.MCLI.COM	SCALE:	N/A
			SHEET:	N/A
UNLESS OTHERWISE SPECIFIED: TOLERANCES IN (INCHES) OR [mm] (MILLIMETERS) FRACTIONS: ± 1/64 DECIMALS: ±.01 ±.005 ANGLE: ±1/2°		DRAWING TITLE: DROP-IN ISOLATOR		
DRAWN: Paiboon Luekhamhan		PART NO.: DI-90-L		
DATE: 09-30-2020		CAGE CODE: 0D2L5		
APPROVED: T. Nguyen		DATE: 09-30-2020		
PROPERTY NOTICE: THE INFORMATION IN THIS DRAWING IS PROPRIETARY AND SHALL NOT BE USED OR DISCLOSED WITHOUT WRITTEN PERMISSION FROM MICROWAVE COMMUNICATIONS LABORATORIES INC. (MCLI)		SIZE: A	REV: N/A	DWG NO. 86852
THIRD ANGLE PROJECTION		DO NOT SCALE THE DRAWING		