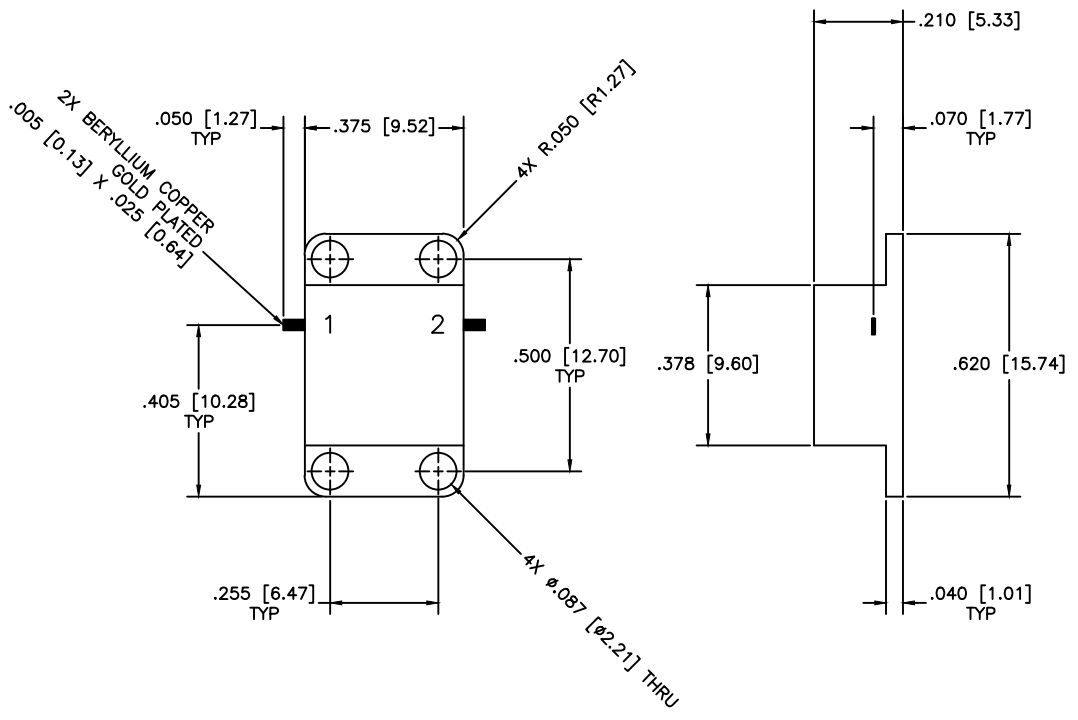


| REVISIONS |     |             |      |          |
|-----------|-----|-------------|------|----------|
| ZONE      | REV | DESCRIPTION | DATE | APPROVED |



**SPECIFICATIONS**

Frequency Range: 5.4–5.9 GHz  
 Isolation: 20dB Min.  
 Insertion loss: 0.5dB Max.  
 VSWR: 1.25:1 Max.  
 Operating Temperature: -40°C to +85°C  
 Power: 1W Reverse

|                              |  |   |   |   |
|------------------------------|--|---|---|---|
| MATERIAL:                    |  | <b>MCLI</b> MICROWAVE COMMUNICATIONS LABORATORIES INC.<br>7255 30TH AVE. N. SAINT PETERSBURG, FL 33710<br>TEL: (727) 344-6254 FAX: (727) 381-6116<br><a href="http://WWW.MCLI.COM">http://WWW.MCLI.COM</a>                        | SCALE:                                    | N/A                                       |
|                              |  |   | SHEET:                                    | N/A                                       |
|                              |  | UNLESS OTHERWISE SPECIFIED:<br>TOLERANCES<br>IN (INCHES) OR [mm] (MILLIMETERS)<br>FRACTIONS: ± 1/64<br>DECIMALS: ±.01 ±.005<br>ANGLE: ±1/2°   | DRAWING TITLE:<br><b>DROP-IN ISOLATOR</b> |   |
| DRAWN:<br>Paiboon Luekhamhan |  | DATE:<br>02-21-2011   | PART NO.<br><b>DI-82</b>                  |   |
| APPROVED:<br>T. Nguyen       |  | DATE:<br>02-21-2011   | CAGE CODE:<br>OD2L5                       | SIZE: N/A<br>REV: N/A<br>DWG NO.<br>85559 |
|                              |  | PROPRIETARY NOTICE:<br>THE INFORMATION IN THIS DRAWING IS PROPRIETARY<br>AND SHALL NOT BE USED OR DISCLOSED WITHOUT WRITTEN<br>PERMISSION FROM MICROWAVE COMMUNICATIONS<br>LABORATORIES INC. (MCLI)<br>THIRD ANGLE PROJECTION<br> | DO NOT SCALE THE DRAWING                  |   |