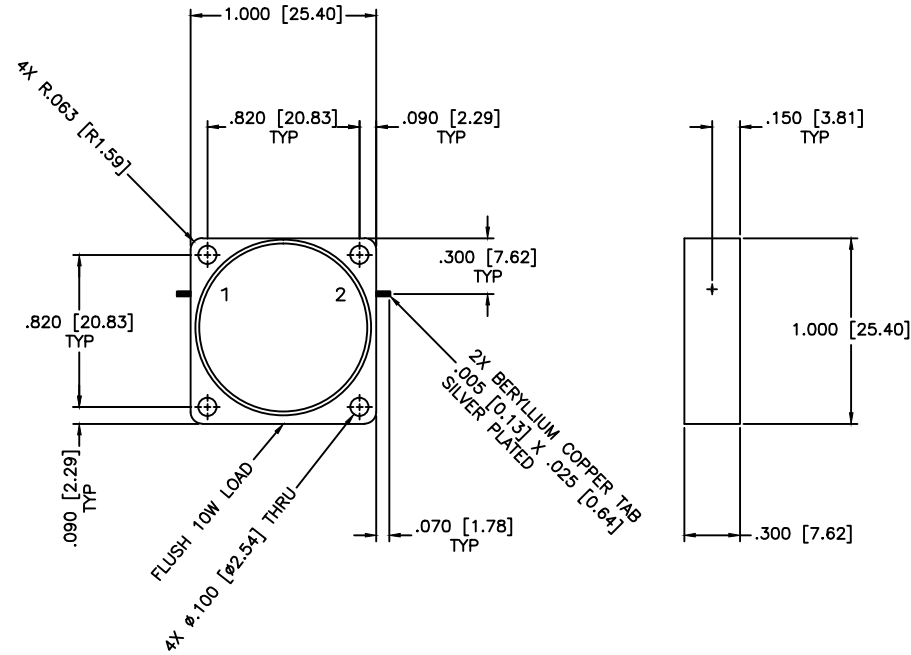


REVISIONS				
ZONE	REV	DESCRIPTION	Date	APPROVED



**SPECIFICATIONS**

Frequency Range: 889–916 MHz  
 Isolation: 20dB Min.  
 Insertion loss: 0.40dB Max.  
 VSWR: 1.20:1 Max.  
 Operating Temperature: -30°C to +70°C  
 Power: 10W Avg.

MATERIAL:		<b>MCLI</b> MICROWAVE COMMUNICATIONS LABORATORIES INC. 7255 30TH AVE. N. SAINT PETERSBURG, FL 33710 TEL: (727) 344-6254 FAX: (727) 381-6116 <a href="http://WWW.MCLI.COM">http://WWW.MCLI.COM</a>	SCALE:	N/A
			SHEET:	N/A
UNLESS OTHERWISE SPECIFIED: TOLERANCES IN (INCHES) OR (mm) (MILLIMETERS) FRACTIONS: ± 1/64 DECIMALS: ±.01 ±.005 ANGLE: ±1/2°		DRAWING TITLE: <b>DROP-IN ISOLATOR</b>		
DRAWN: Paiboon Luekhamhan		PART NO. <b>DI-71</b>		
DATE: 02-22-2011		CAGE CODE: OD2L5		
APPROVED: T. Nguyen		DATE: 02-22-2011		
THIRD ANGLE PROJECTION		SIZE: A REV: A DWG NO. 85050		
		DO NOT SCALE THE DRAWING		