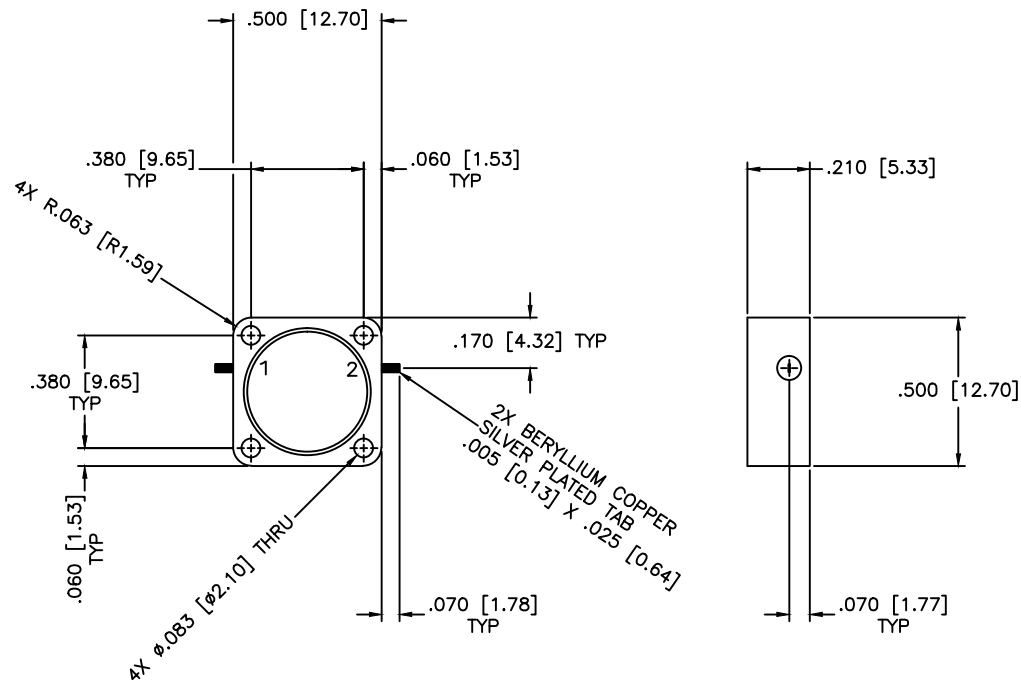


REVISIONS				
ZONE	REV	DESCRIPTION	Date	APPROVED



**SPECIFICATIONS**

Frequency Range: 16–20 GHz  
 Isolation: 18dB Min.  
 Insertion loss: 0.6dB Max.  
 VSWR: 1.30:1 Max.  
 Operating Temperature: -30°C to +70°C  
 Circulator Power: 25W Avg. 200W Peak

MATERIAL:		<b>MCLI</b> MICROWAVE COMMUNICATIONS LABORATORIES INC. 7255 30TH AVE. N. SAINT PETERSBURG, FL 33710 TEL: (727) 344-6254 FAX: (727) 381-6116 <a href="http://WWW.MCLI.COM">http://WWW.MCLI.COM</a>	SCALE:	N/A
			SHEET:	N/A
UNLESS OTHERWISE SPECIFIED: TOLERANCES IN (INCHES) OR [mm] (MILLIMETERS) FRACTIONS: $\pm 1/64$ DECIMALS: $\pm .01 \pm .005$ ANGLE: $\pm 1/2^\circ$		DRAWING TITLE: <b>DROP-IN ISOLATOR</b>		
DRAWN: Paiboon Luekhamhan		PART NO.: <b>DI-70</b>		
DATE: 02-18-2011		CAGE CODE: OD2L5		
APPROVED: T. Nguyen		SIZE: N/A		
DATE: 02-18-2011		REV: N/A		
THIRD ANGLE PROJECTION		DWG NO.: 85544		
		DO NOT SCALE THE DRAWING		