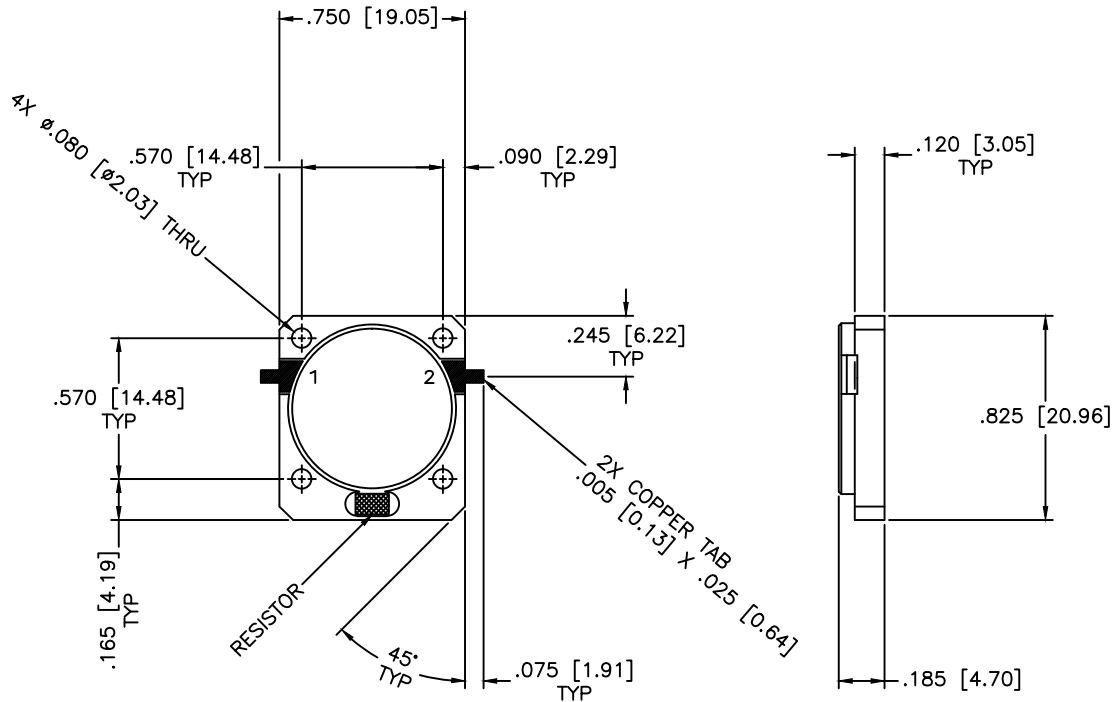


REVISIONS				
ZONE	REV	DESCRIPTION	DATE	APPROVED



SPECIFICATIONS

- Frequency Range: 2.3–2.5 GHz
- Insertion Loss: 0.4dB Max.
- Isolation: 20dB Min.
- VSWR: 1.22:1 Max.
- Impedance Nominal: 50 Ohms
- Power Rating: 15 Watts
- Operating Temperature: -45°C to +85°C
- Storage Temperature: -55°C to +100°C

MATERIAL:			MICROWAVE COMMUNICATIONS LABORATORIES INC. 7255 30TH AVE. N. SAINT PETERSBURG, FL 33710 TEL: (727) 344-6254 FAX: (727) 381-6116 http://WWW.MCLI.COM		SCALE:	N/A
			UNLESS OTHERWISE SPECIFIED: TOLERANCES IN (INCHES) OR [mm] (MILLIMETERS) FRACTIONS: ± 1/64 DECIMALS: ±.01 ±.005 ANGLE: ±1/2°	DRAWING TITLE:		DROP-IN ISOLATOR
DRAWN:		DATE:		PART NO.		DWG NO.
Paiboon Luethamhan		06-30-2008		DI-7-15		
APPROVED:		DATE:		CAGE CODE:	SIZE:	REV:
T. Nguyen		06-30-2008		OD2L5	A	N/A
		PROPRIETARY NOTICE: THE INFORMATION IN THIS DRAWING IS PROPRIETARY AND SHALL NOT BE USED OR DISCLOSED WITHOUT WRITTEN PERMISSION FROM MICROWAVE COMMUNICATIONS LABORATORIES INC. (MCLI)		DO NOT SCALE THE DRAWING		83714
		THIRD ANGLE PROJECTION 				