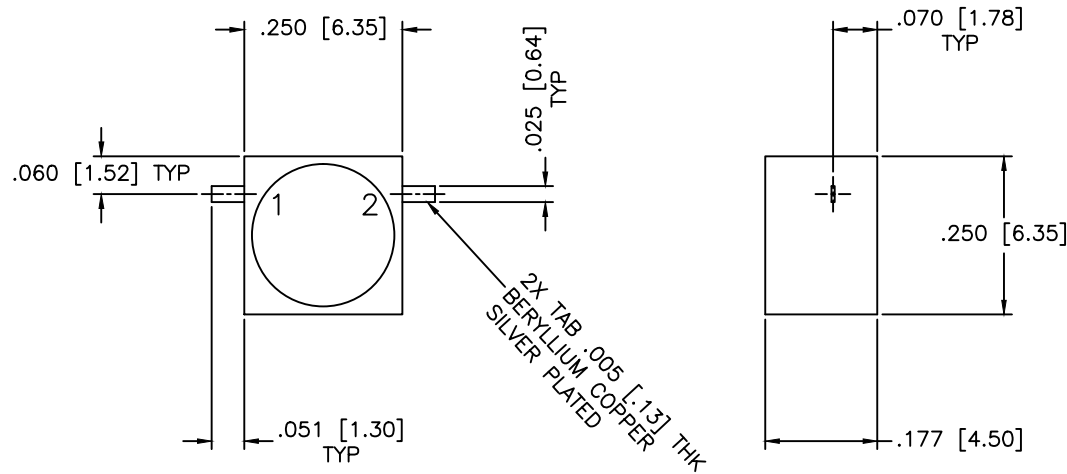


REVISIONS				
ZONE	REV	DESCRIPTION	DATE	APPROVED



SPECIFICATIONS

Frequency Range: 24.0–24.3 GHz
 Insertion Loss: 1.0dB Max.
 Isolation: 20dB Min.
 VSWR: 1.30:1 Max.
 Operating Temperature: –40°C to +85°C

MATERIAL:		MICROWAVE COMMUNICATIONS LABORATORIES INC. 7255 30TH AVE. N. SAINT PETERSBURG, FL 33710 TEL: (727) 344-6254 FAX: (727) 381-6116 http://WWW.MCLI.COM	SCALE:	N/A
			SHEET:	N/A
		UNLESS OTHERWISE SPECIFIED: TOLERANCES IN (INCHES) OR [mm] (MILLIMETERS) FRACTIONS: ± 1/64 DECIMALS: ±.01 ±.005 ANGLE: ±1/2°	DRAWING TITLE: DROP-IN ISOLATOR	
		PROPRIETARY NOTICE: THE INFORMATION IN THIS DRAWING IS PROPRIETARY AND SHALL NOT BE USED OR DISCLOSED WITHOUT WRITTEN PERMISSION FROM MICROWAVE COMMUNICATIONS LABORATORIES INC. (MCLI)	PART NO. DI-69	
DRAWN: Paiboon Luekhamhan	DATE: 11-26-2013	THIRD ANGLE PROJECTION 	CAGE CODE:	SIZE: N/A
APPROVED: T. Nguyen	DATE: 11-26-2013		OD2L5	REV: N/A
			DO NOT SCALE THE DRAWING	