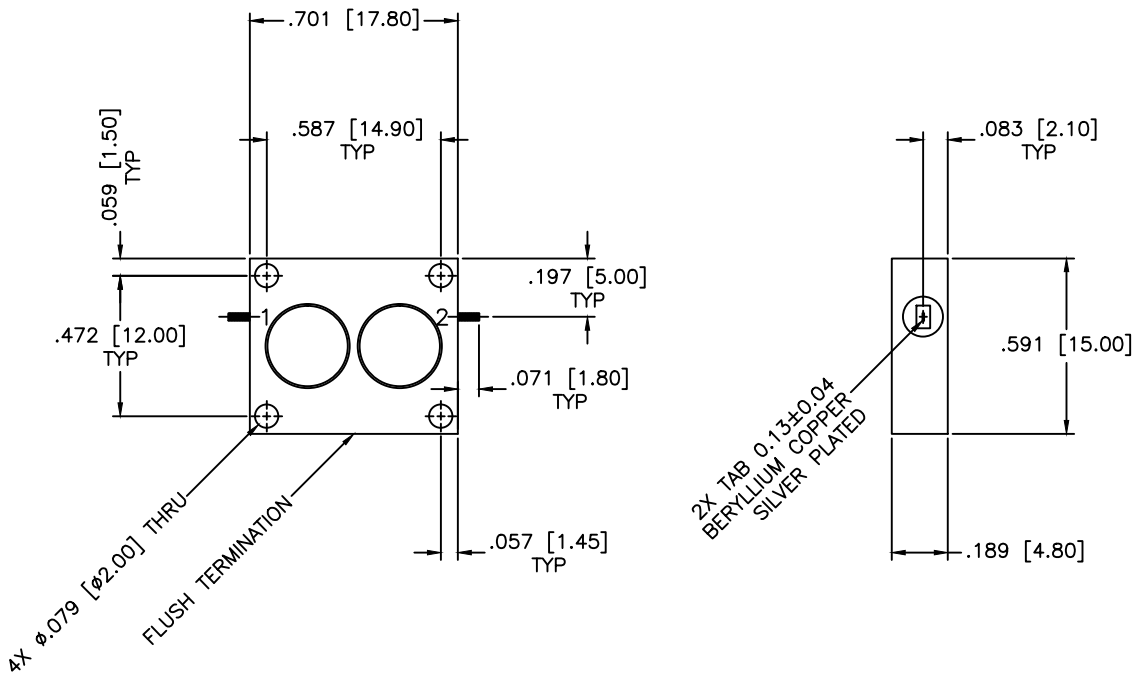


REVISIONS				
ZONE	REV	DESCRIPTION	DATE	APPROVED



SPECIFICATIONS

Frequency Range: 10.2–10.6 GHz
 Insertion Loss Port 1–2: –0.6dB
 Insertion Loss Port 2–3: –0.3dB
 Isolation Port 1–2: 40dB Min.
 VSWR: 1.25:1 Max.
 Power Peak: 10 Watts, DC 10%
 Power Average: 2 Watts
 Operating Temperature: –40°C to +85°C

MATERIAL:		MICROWAVE COMMUNICATIONS LABORATORIES INC. 7255 30TH AVE. N. SAINT PETERSBURG, FL 33710 TEL: (727) 344-6254 FAX: (727) 381-6116 http://WWW.MCLI.COM	SCALE:	N/A
UNLESS OTHERWISE SPECIFIED: TOLERANCES IN (INCHES) OR [mm] (MILLIMETERS) FRACTIONS: ± 1/64 DECIMALS: ±.01 ±.005 ANGLE: ±1/2°			DRAWING TITLE:	DROP-IN ISOLATOR
DRAWN: Paiboon Luekhamhan		PART NO. DI-64		
DATE: 02-19-2010		CAGE CODE: OD2L5		
APPROVED: T. Nguyen		DATE: 02-19-2010		
PROPRIETARY NOTICE: THE INFORMATION IN THIS DRAWING IS PROPRIETARY AND SHALL NOT BE USED OR DISCLOSED WITHOUT WRITTEN PERMISSION FROM MICROWAVE COMMUNICATIONS LABORATORIES INC. (MCLI)		SIZE: N/A	REV: N/A	DWG NO. 84715
THIRD ANGLE PROJECTION		DO NOT SCALE THE DRAWING		