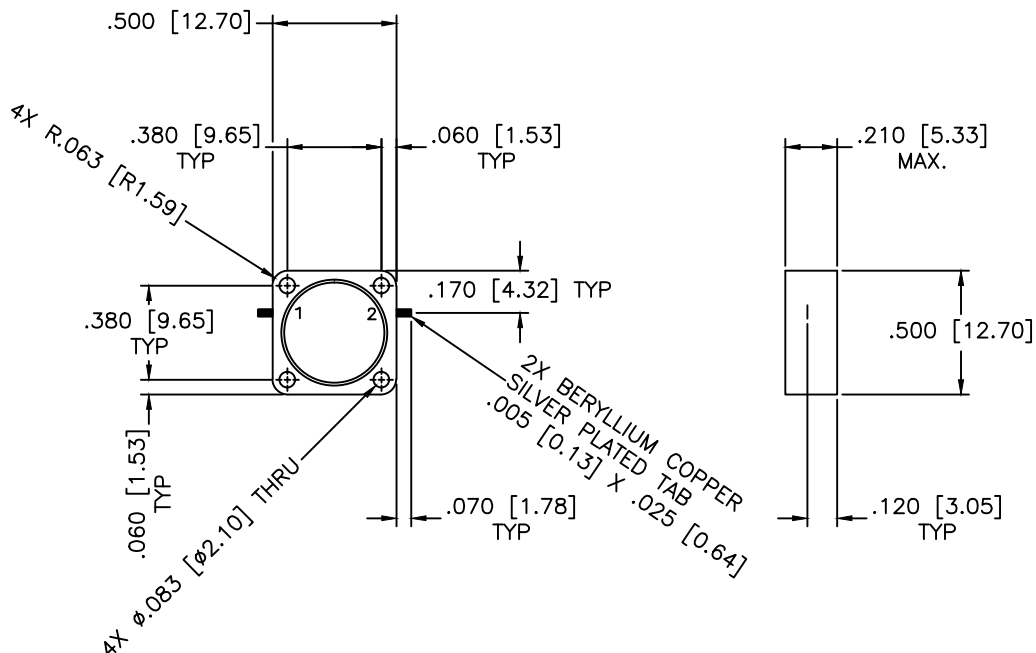


| REVISIONS |     |             |      |          |
|-----------|-----|-------------|------|----------|
| ZONE      | REV | DESCRIPTION | DATE | APPROVED |



**SPECIFICATIONS**

Frequency Range: 6.88–7.98 GHz  
 Insertion Loss: 0.7dB Max.  
 Isolation: 15dB Min.  
 VSWR: 1.50:1 Max.  
 Power Peak: 100W Forward  
 Power Average: 1W Forward, Reverse  
 Operating Temperature: -54°C to +85°C

|                          |            |   |   |         |
|--------------------------|------------|---|---|---------|
| MATERIAL:                |            | MICROWAVE COMMUNICATIONS LABORATORIES INC.<br>7255 30TH AVE. N. SAINT PETERSBURG, FL 33710<br>TEL: (727) 344-6254 FAX: (727) 381-6116<br>http://WWW.MCLI.COM  | SCALE:                                    | N/A     |
|                          |            |   | SHEET:                                    | N/A     |
|                          |            | UNLESS OTHERWISE SPECIFIED:<br>TOLERANCES<br>IN (INCHES) OR [mm] (MILLIMETERS)<br>FRACTIONS: $\pm 1/64$<br>DECIMALS: $\pm .01 \pm .005$<br>ANGLE: $\pm 1/2^\circ$                                   | DRAWING TITLE:<br><b>DROP-IN ISOLATOR</b> |         |
|                          |            | PROPRIETARY NOTICE:<br>THE INFORMATION IN THIS DRAWING IS PROPRIETARY<br>AND SHALL NOT BE USED OR DISCLOSED WITHOUT WRITTEN<br>PERMISSION FROM MICROWAVE COMMUNICATIONS<br>LABORATORIES INC. (MCLI) | PART NO.<br><b>DI-63</b>                  |         |
| DRAWN:                   | DATE:      | THIRD ANGLE PROJECTION  | CAGE CODE:                                | SIZE:   |
| Paiboon Luekhamhan       | 02-19-2010 |   | OD2L5                                     | A       |
| APPROVED:                | DATE:      |   | REV:                                      | DWG NO. |
| T. Nguyen                | 02-19-2010 |   | N/A                                       | 84714   |
| DO NOT SCALE THE DRAWING |            |   |   |         |