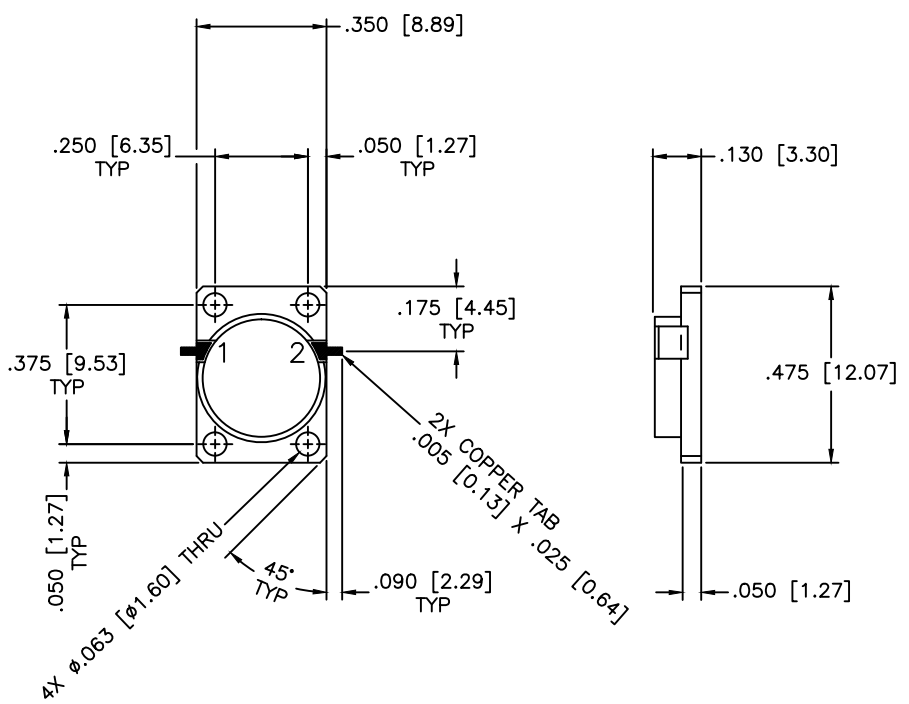


REVISIONS				
ZONE	REV	DESCRIPTION	DATE	APPROVED



SPECIFICATIONS

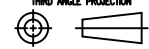
Frequency Range: 0.79–0.86 GHz
 Insertion Loss: 0.5dB Max.
 Isolation: 18dB Min.
 VSWR: 1.30:1 Max.

MATERIAL:			MICROWAVE COMMUNICATIONS LABORATORIES INC. 7255 30TH AVE. N. SAINT PETERSBURG, FL 33710 TEL: (727) 344-6254 FAX: (727) 381-6116 http://WWW.MCLI.COM		SCALE:	N/A			
			UNLESS OTHERWISE SPECIFIED: TOLERANCES IN (INCHES) OR [mm] (MILLIMETERS) FRACTIONS: ± 1/64 DECIMALS: ±.01 ±.005 ANGLE: ±1/2°	DRAWING TITLE:		SHEET:	N/A		
DRAWN:		DATE:		PART NO.			DI-51		
Paiboon Luekhamhan		01-05-2005		CAGE CODE:					
APPROVED:		DATE:		OD2L5	SIZE:	N/A	REV:	N/A	DWG NO.
T. Nguyen		01-05-2005		DO NOT SCALE THE DRAWING				82158	



UNLESS OTHERWISE SPECIFIED:
 TOLERANCES
 IN (INCHES) OR [mm] (MILLIMETERS)
 FRACTIONS: ± 1/64
 DECIMALS: ±.01 ±.005
 ANGLE: ±1/2°

PROPRIETARY NOTICE:
 THE INFORMATION IN THIS DRAWING IS PROPRIETARY
 AND SHALL NOT BE USED OR DISCLOSED WITHOUT WRITTEN
 PERMISSION FROM MICROWAVE COMMUNICATIONS
 LABORATORIES INC. (MCLI)
 THIRD ANGLE PROJECTION



DRAWING TITLE:			
DROP-IN ISOLATOR			
PART NO.			
DI-51			
CAGE CODE:	SIZE:	REV:	DWG NO.
OD2L5	N/A	N/A	82158
DO NOT SCALE THE DRAWING			