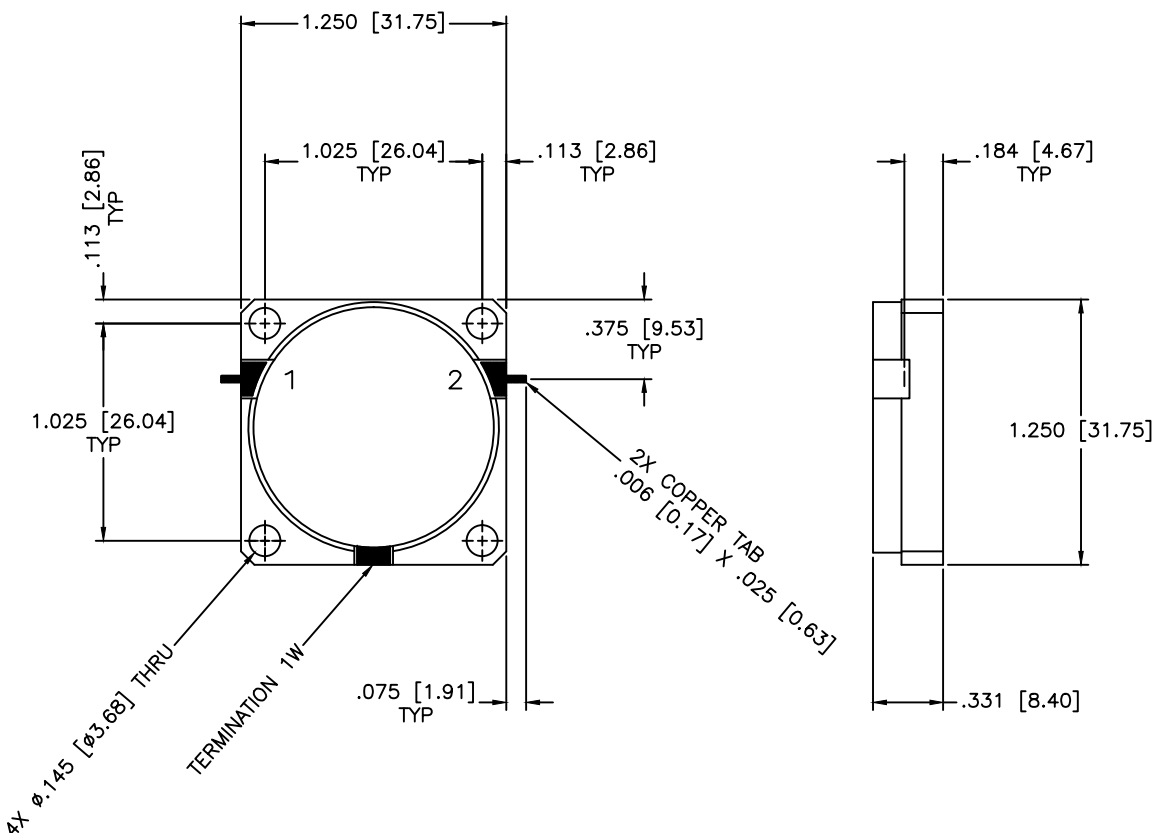


REVISIONS				
ZONE	REV	DESCRIPTION	DATE	APPROVED



**SPECIFICATIONS**

Frequency Range: 2-4 GHz  
 Isolation: 16dB Min.  
 Insertion loss: 0.70dB Max.  
 VSWR: 1.40:1 Max.  
 Operating Temperature: 0°C to +50°C  
 Power: 1W Avg.

MATERIAL:			MICROWAVE COMMUNICATIONS LABORATORIES INC. 7255 30TH AVE. N. SAINT PETERSBURG, FL 33710 TEL: (727) 344-6254 FAX: (727) 381-6116 http://WWW.MCLI.COM		SCALE:	N/A
			UNLESS OTHERWISE SPECIFIED: TOLERANCES IN (INCHES) OR (mm) (MILLIMETERS) FRACTIONS: ± 1/64 DECIMALS: ±.01 ±.005 ANGLE: ±1/2°		DRAWING TITLE:	DROP-IN ISOLATOR
DRAWN:		DATE:		PART NO.		DI-49
Paiboon Luekhamhan		02-18-2011				
APPROVED:		DATE:		CAGE CODE:	SIZE:	REV:
T. Nguyen		02-18-2011		OD2L5	N/A	N/A
		PROPRIETARY NOTICE: THE INFORMATION IN THIS DRAWING IS PROPRIETARY AND SHALL NOT BE USED OR DISCLOSED WITHOUT WRITTEN PERMISSION FROM MICROWAVE COMMUNICATIONS LABORATORIES INC. (MCLI)		DO NOT SCALE THE DRAWING		DWG NO.
						85546