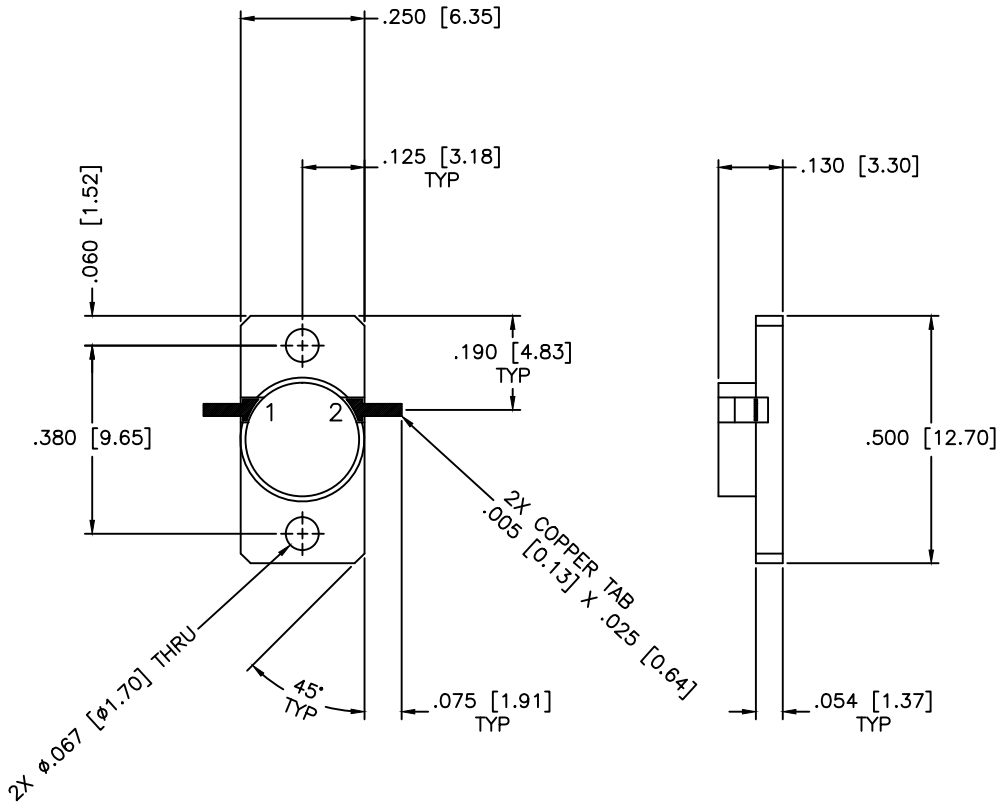


REVISIONS				
ZONE	REV	DESCRIPTION	DATE	APPROVED



**SPECIFICATIONS**

Frequency Range: 14.4–15.35 GHz  
 Insertion Loss: 0.5dB Max.  
 Isolation: 20dB Min.  
 VSWR: 1.25:1 Max.  
 Impedance Nominal: 50 Ohms  
 Power Rating: 1 Watt  
 Operating Temperature: -10°C to +85°C  
 Storage Temperature: -55°C to +100°C

MATERIAL:			MICROWAVE COMMUNICATIONS LABORATORIES INC. 7255 30TH AVE. N. SAINT PETERSBURG, FL 33710 TEL: (727) 344-6254 FAX: (727) 381-6116 http://WWW.MCLI.COM		SCALE: N/A
			UNLESS OTHERWISE SPECIFIED: TOLERANCES: IN (INCHES) OR [mm] (MILLIMETERS) FRACTIONS: ± 1/64 DECIMALS: ±.01 ±.005 ANGLE: ±1/2°		SHEET: N/A
DRAWING TITLE:		DROP-IN ISOLATOR			
DRAWN: Paiboon Luexhamhan		DATE: 01-05-2005		PART NO. DI-45	
APPROVED: T. Nguyen		DATE: 01-05-2005		CAGE CODE: OD2L5	SIZE: N/A
		PROPRIETARY NOTICE: THE INFORMATION IN THIS DRAWING IS PROPRIETARY AND SHALL NOT BE USED OR DISCLOSED WITHOUT WRITTEN PERMISSION FROM MICROWAVE COMMUNICATIONS LABORATORIES INC. (MCLI)		REV: N/A	DWG NO. 82157
		THIRD ANGLE PROJECTION 		DO NOT SCALE THE DRAWING	