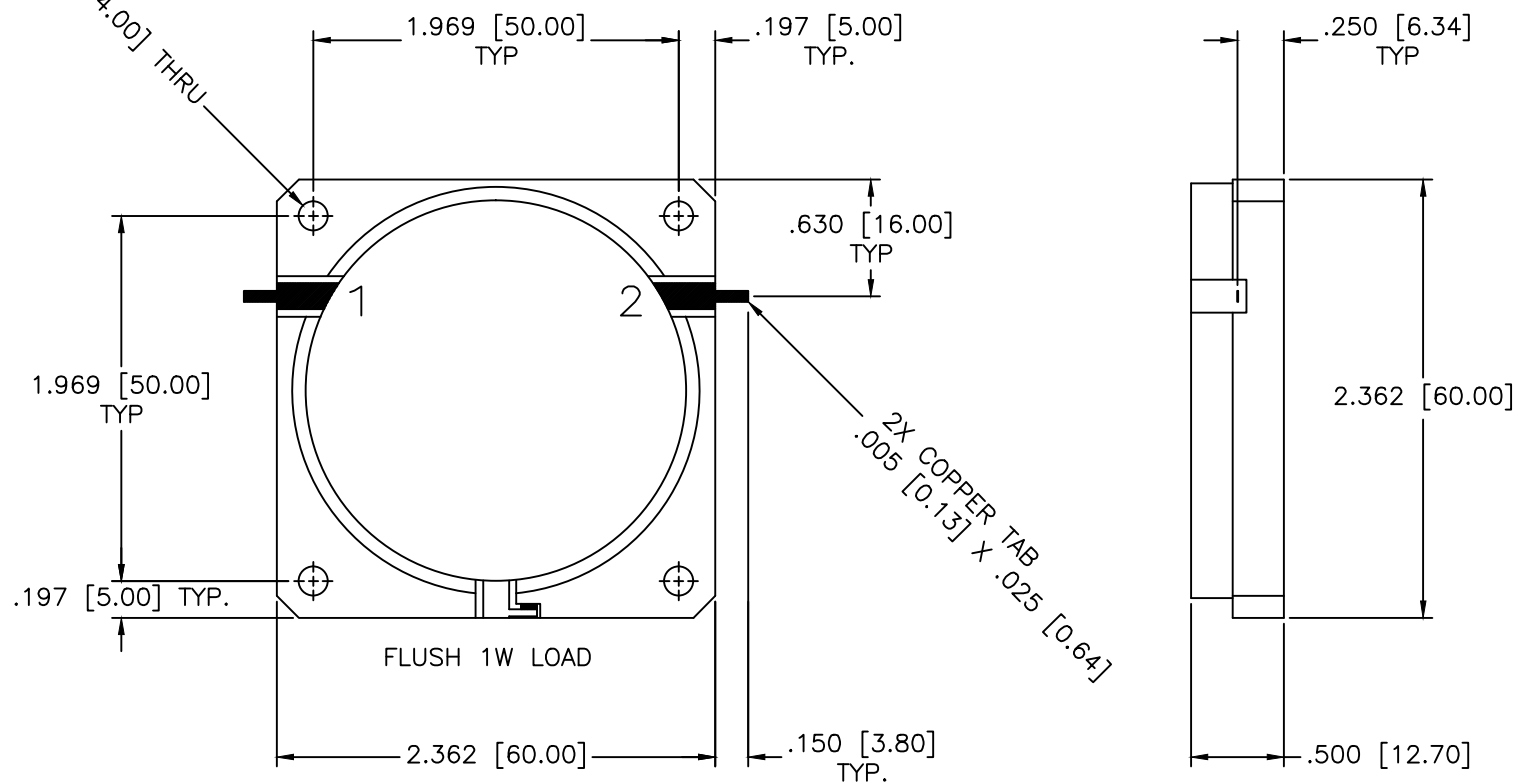


REVISIONS				
ZONE	REV	DESCRIPTION	DATE	APPROVED

4X ϕ .157 [ϕ 4.00] THRU



SPECIFICATIONS

Frequency Range: 1–2 GHz
 Isolation: 16dB Min.
 Insertion loss: 0.70dB Max.
 VSWR: 1.40:1 Max.
 Operating Temperature: +10°C to +50°C
 Circulator Power: 50W Avg. 500W Peak

MATERIAL:			MICROWAVE COMMUNICATIONS LABORATORIES INC. 7255 30TH AVE. N. SAINT PETERSBURG, FL 33710 TEL: (727) 344-6254 FAX: (727) 381-6116 http://WWW.MCLI.COM		SCALE:	N/A
			UNLESS OTHERWISE SPECIFIED: TOLERANCES IN (INCHES) OR [mm] (MILLIMETERS) FRACTIONS: $\pm 1/64$ DECIMALS: $\pm .02 \pm .009$ ANGLE: $\pm 1/2^\circ$		DRAWING TITLE:	DROP-IN ISOLATOR
DRAWN:		DATE:		PART NO.		
Paiboon Luekhamhan		07-13-2016		DI-34		
APPROVED:		DATE:		CAGE CODE:	SIZE:	REV:
T. Nguyen		07-13-2016		OD2L5	A	A
		PROPRIETARY NOTICE: THE INFORMATION IN THIS DRAWING IS PROPRIETARY AND SHALL NOT BE USED OR DISCLOSED WITHOUT WRITTEN PERMISSION FROM MICROWAVE COMMUNICATIONS LABORATORIES INC. (MCLI)		DO NOT SCALE THE DRAWING		DWG NO.
		THIRD ANGLE PROJECTION 				85545