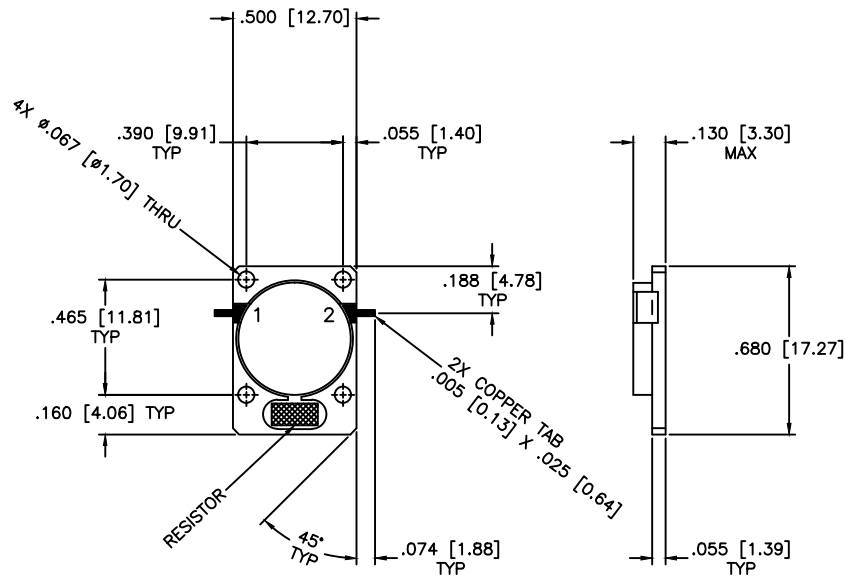


REVISIONS				
ZONE	REV	DESCRIPTION	DATE	APPROVED



SPECIFICATIONS

- Frequency Range: 4.8–5.0 GHz
- Insertion Loss: 0.4dB Max.
- Isolation: 20dB Min.
- VSWR: 1.22:1 Max.
- Impedance Nominal: 50 Ohms
- Power Rating: 15 Watts
- Operating Temperature: -45°C to +85°C
- Storage Temperature: -55°C to +100°C

MATERIAL:		MICROWAVE COMMUNICATIONS LABORATORIES INC. 7255 30TH AVE. N. SAINT PETERSBURG, FL 33710 TEL: (727) 344-6254 FAX: (727) 381-6116 http://WWW.MCLI.COM	SCALE:	N/A
			SHEET:	N/A
		UNLESS OTHERWISE SPECIFIED: TOLERANCES IN (INCHES) OR [mm] (MILLIMETERS) FRACTIONS: ± 1/64 DECIMALS: ±.01 ±.005 ANGLE: ±1/2°	DRAWING TITLE: DROP-IN ISOLATOR	
DRAWN: Paiboon Luekhamhan		DATE: 06-30-2008	PART NO. DI-33-15	
APPROVED: T. Nguyen		DATE: 06-30-2008	CAGE CODE: OD2L5	SIZE: N/A REV: N/A DWG NO. 83715
		PROPRIETARY NOTICE: THE INFORMATION IN THIS DRAWING IS PROPRIETARY AND SHALL NOT BE USED OR DISCLOSED WITHOUT WRITTEN PERMISSION FROM MICROWAVE COMMUNICATIONS LABORATORIES INC. (MCLI) THIRD ANGLE PROJECTION	DO NOT SCALE THE DRAWING	