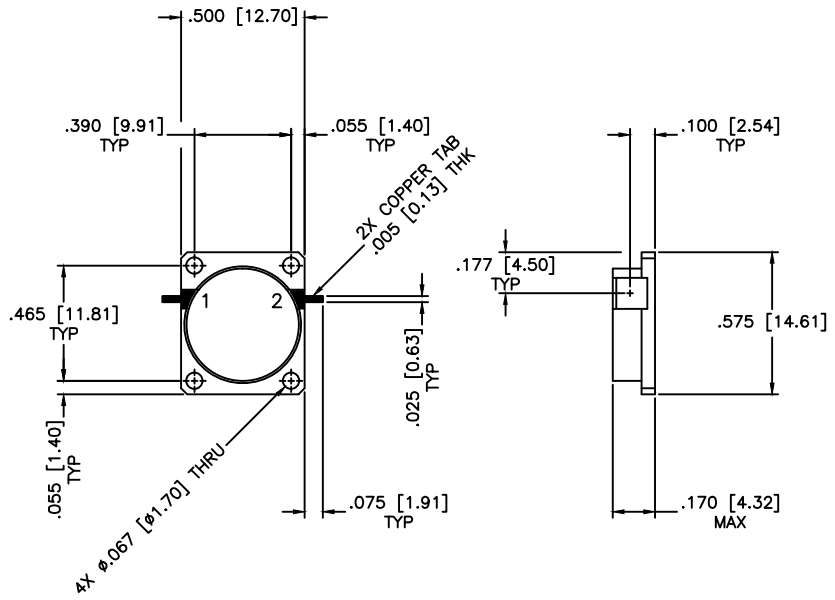


| REVISIONS | | | | |
|-----------|-----|-------------|------|----------|
| ZONE | REV | DESCRIPTION | DATE | APPROVED |



SPECIFICATIONS

Frequency Range: 2.5–2.7 GHz
 Insertion Loss: 0.5dB Max.
 Isolation: 20dB Min.
 VSWR: 1.22:1 Max.
 Impedance Nominal: 50 Ohms
 Power Rating: 5 Watts
 Operating Temperature: –45°C to +85°C
 Storage Temperature: –55°C to +100°C

| | | | | | | |
|-----------|-------|---|--|--------------------------|------------------|---------|
| MATERIAL: | | | MICROWAVE COMMUNICATIONS LABORATORIES INC. 7255 30TH AVE. N. SAINT PETERSBURG, FL 33710 TEL: (727) 344-6254 FAX: (727) 381-6116 http://WWW.MCLI.COM | | SCALE: | N/A |
| | | | UNLESS OTHERWISE SPECIFIED: TOLERANCES IN (INCHES) OR [mm] (MILLIMETERS) FRACTIONS: ± 1/64 DECIMALS: ±.01 ±.005 ANGLE: ±1/2° | DRAWING TITLE: | | SHEET: |
| | | PROPRIETARY NOTICE: THE INFORMATION IN THIS DRAWING IS PROPRIETARY AND SHALL NOT BE USED OR DISCLOSED WITHOUT WRITTEN PERMISSION FROM MICROWAVE COMMUNICATIONS LABORATORIES INC. (MCLI) | PART NO. | | DROP-IN ISOLATOR | |
| DRAWN: | DATE: | THIRD ANGLE PROJECTION | CAGE CODE: | | SIZE: | REV: |
| APPROVED: | DATE: | | OD2L5 | A | N/A | DWG NO. |
| | | | | DO NOT SCALE THE DRAWING | | 82134 |