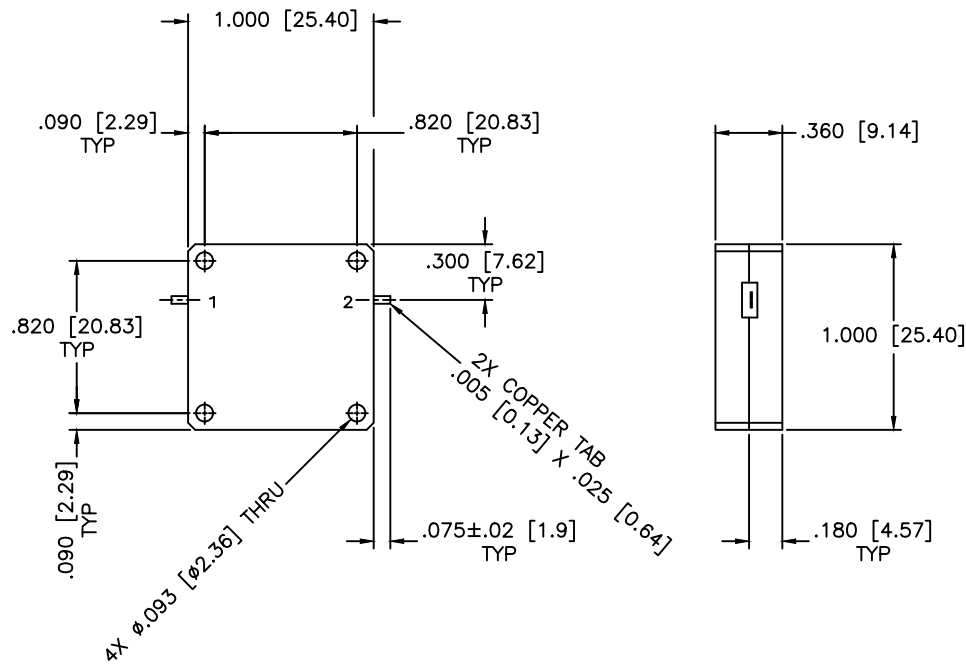


REVISIONS				
ZONE	REV	DESCRIPTION	DATE	APPROVED



**SPECIFICATIONS**

Frequency Range: 1.25–1.30 GHz  
 Insertion Loss: 0.3dB Max.  
 Isolation: 20dB Min.  
 VSWR: 1.22:1 Max.  
 Operating Temperature: –20°C to +20°C  
 Storage Temperature: –55°C to +100°C

MATERIAL:			MICROWAVE COMMUNICATIONS LABORATORIES INC. 7255 30TH AVE. N. SAINT PETERSBURG, FL 33710 TEL: (727) 344-6254 FAX: (727) 381-6116 http://www.MCLI.COM		SCALE: N/A
UNLESS OTHERWISE SPECIFIED: TOLERANCES IN (INCHES) OR [mm] (MILLIMETERS) FRACTIONS: ± 1/64 DECIMALS: ±.01 ±.005 ANGLE: ±1/2°			DRAWING TITLE: <b>DROP-IN ISOLATOR</b>		SHEET: N/A
DRAWN: Paiboon Luekhamthan		DATE: 11-26-2013	PART NO. <b>DI-22</b>		
APPROVED: T. Nguyen		DATE: 11-26-2013	CAGE CODE: OD2L5	SIZE: A	REV: N/A
		PROPRIETARY NOTICE: THE INFORMATION IN THIS DRAWING IS PROPRIETARY AND SHALL NOT BE USED OR DISCLOSED WITHOUT WRITTEN PERMISSION FROM MICROWAVE COMMUNICATIONS LABORATORIES INC. (MCLI) THIRD ANGLE PROJECTION	DWG NO. 86496		DO NOT SCALE THE DRAWING