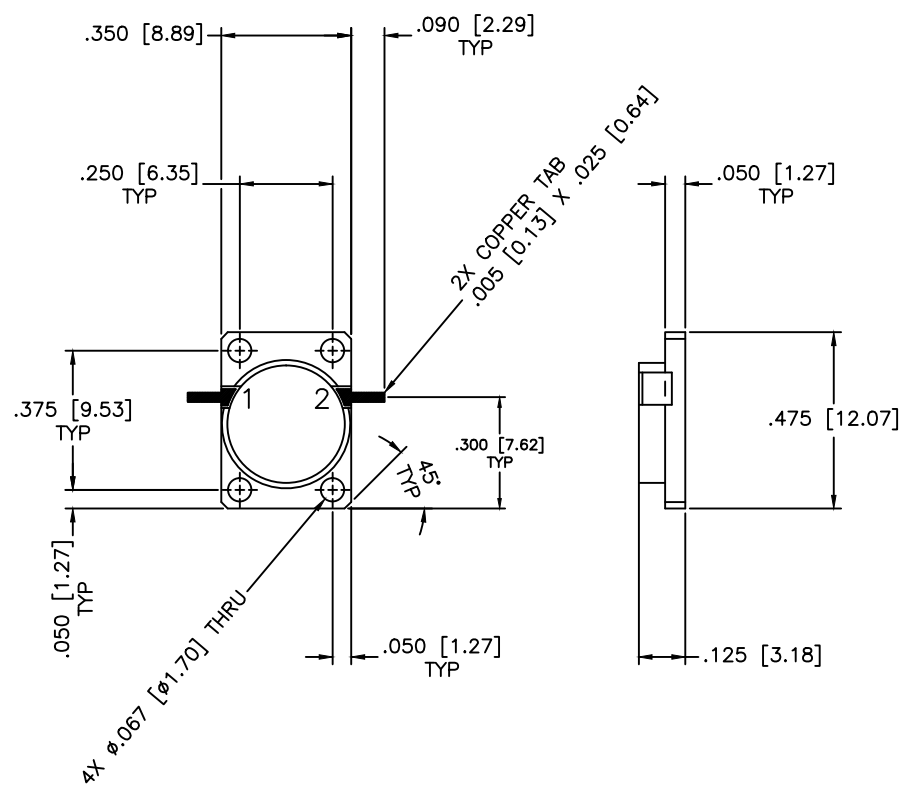


REVISIONS				
ZONE	REV	DESCRIPTION	DATE	APPROVED



SPECIFICATIONS

Frequency Range: 11.5–14.0 GHz
 Insertion Loss: 0.5dB Max.
 Isolation: 20dB Min.
 VSWR: 1.25:1 Max.

MATERIAL:		MICROWAVE COMMUNICATIONS LABORATORIES INC. 7255 30TH AVE. N. SAINT PETERSBURG, FL 33710 TEL: (727) 344-6254 FAX: (727) 381-6116 http://WWW.MCLI.COM	SCALE:	N/A
			SHEET:	N/A
UNLESS OTHERWISE SPECIFIED: TOLERANCES IN (INCHES) OR [mm] (MILLIMETERS) FRACTIONS: ± 1/64 DECIMALS: ±.02 ±.009 ANGLE: ±1/2°		DRAWING TITLE:		
		DROP-IN ISOLATOR		
DRAWN:		PART NO.		
Paiboon Luekhamhan		DI-16		
DATE:		CAGE CODE:	SIZE:	REV:
01-05-2005		OD2L5	N/A	N/A
APPROVED:		DO NOT SCALE THE DRAWING		DWG NO.
T. Nguyen				82148
DATE:		THIRD ANGLE PROJECTION		
01-05-2005				

