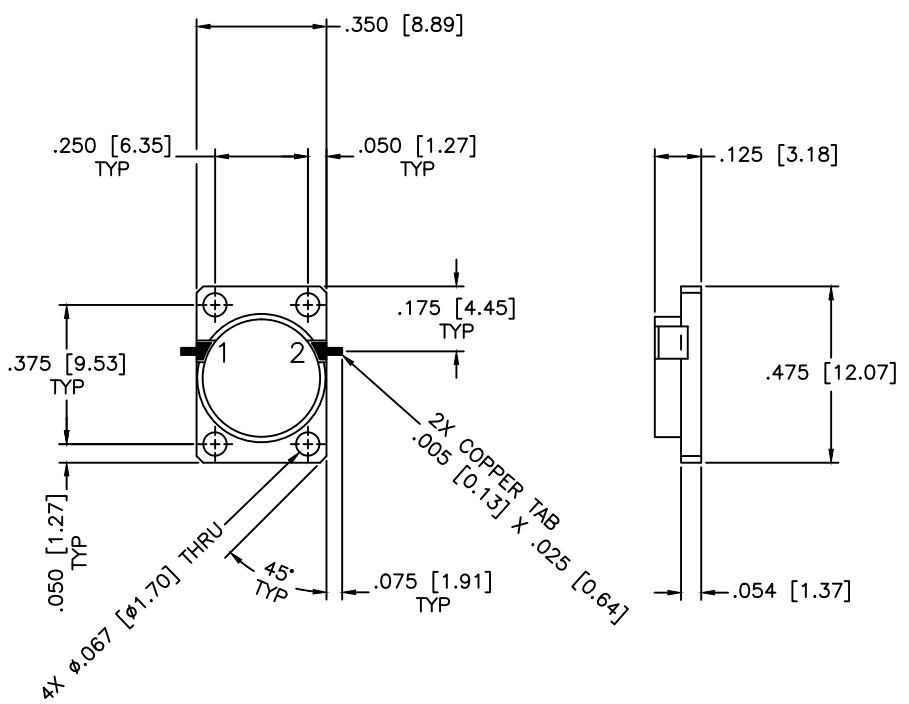


REVISIONS				
ZONE	REV	DESCRIPTION	DATE	APPROVED



**SPECIFICATIONS**

Frequency Range: 8.5–11.5GHz  
 Insertion Loss: 0.5dB Max.  
 Isolation: 17dB Min.  
 VSWR: 1.35:1 Max.  
 Impedance Nominal: 50 Ohms  
 Power Rating: 2 Watts FWD, 1 Watt REV.  
 Operating Temperature: -40°C to +85°C  
 Storage Temperature: -55°C to +100°C

MATERIAL:			MICROWAVE COMMUNICATIONS LABORATORIES INC. 7255 30TH AVE. N. SAINT PETERSBURG, FL 33710 TEL: (727) 344-6254 FAX: (727) 381-6116 http://WWW.MCLI.COM		SCALE:	N/A
			UNLESS OTHERWISE SPECIFIED: TOLERANCES IN (INCHES) OR [mm] (MILLIMETERS) FRACTIONS: ± 1/64 DECIMALS: ±.01 ±.005 ANGLE: ±1/2°	DRAWING TITLE:		SHEET:
		PROPRIETARY NOTICE: THE INFORMATION IN THIS DRAWING IS PROPRIETARY AND SHALL NOT BE USED OR DISCLOSED WITHOUT WRITTEN PERMISSION FROM MICROWAVE COMMUNICATIONS LABORATORIES INC. (MCLI)	PART NO.		DROP-IN ISOLATOR	
DRAWN:		DATE:	CAGE CODE:		SIZE:	REV:
Paiboon Luekhamhan		01-05-2005	OD2L5		N/A	N/A
APPROVED:		DATE:	THIRD ANGLE PROJECTION		DO NOT SCALE THE DRAWING	
T. Nguyen		01-05-2005			DWG NO. 82147	